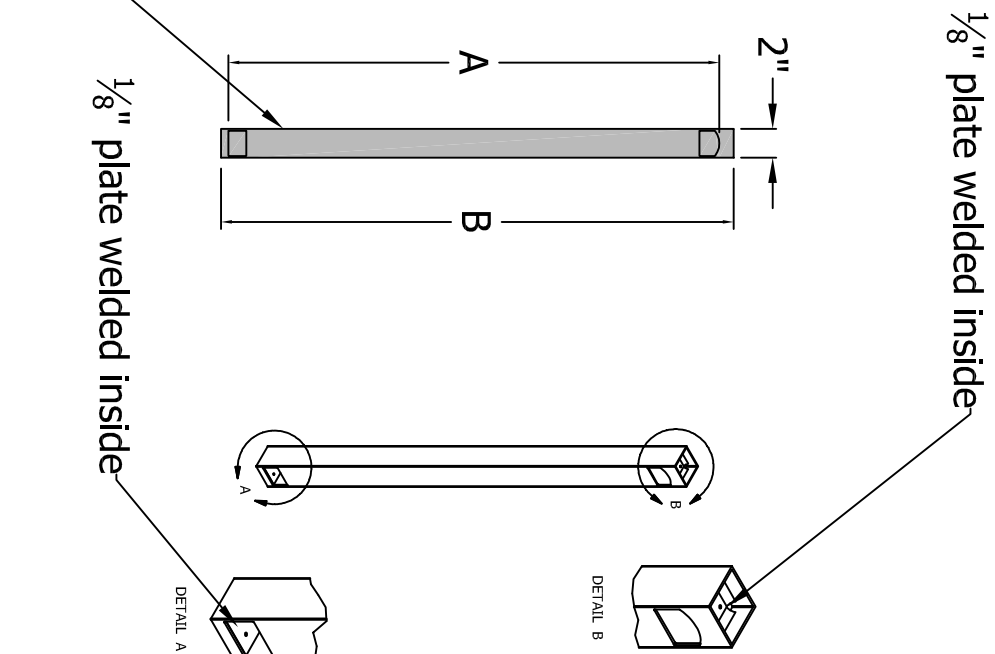
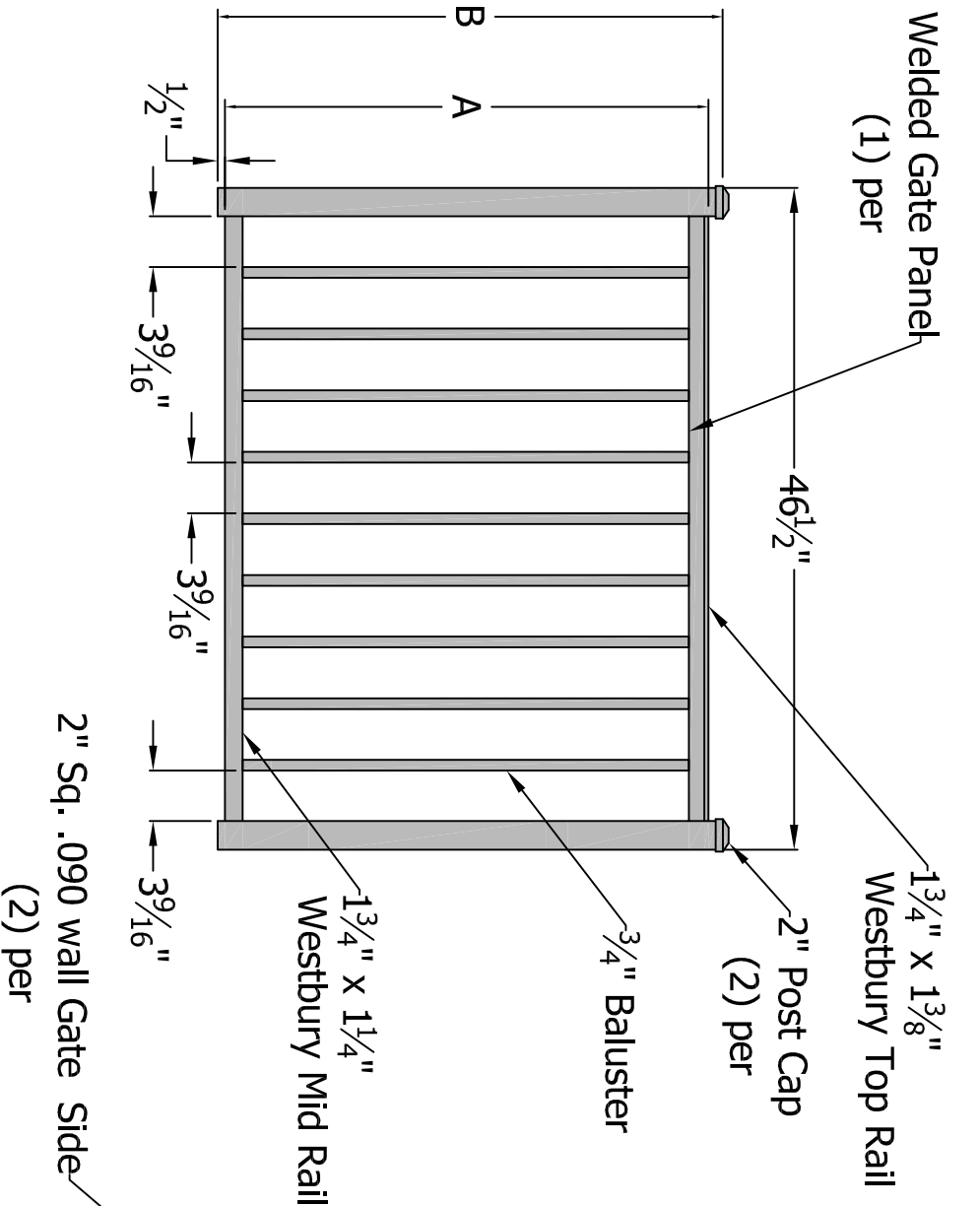


Nominal Rail Height	Baluster Style	Part #	A	B
36"	Square	70034	34"	35 $\frac{1}{2}$ "
36"	Round	72230	34"	35 $\frac{1}{2}$ "
42"	Square	70036	40"	41 $\frac{1}{2}$ "
42"	Round	72232	40"	41 $\frac{1}{2}$ "

REV.	REVISION	DATE
A	RELEASE PENDING APPROVAL	
B	Reduced bottom rail height from 3" to 2"	03/29/2016

PART NUMBER:



APPROVED BY:		DATE APPROVED:	
FINISH:		FIRST USED ON:	
SHEET SIZE = C		DRAWN BY: CM	
SCALE = 1" = 1"		DATE DRAWN: 02-16-2016	
STANDARD TOLERANCE: .00 ±.01 FRACTIONS: .000 ±.005 ±.1"		PART NUMBER or STYLE: C10_C101 Gate 48in Wide	
LOC: Z:\Aluminum\Westbury\C10 Tuscan\Gates		Quote requested by:	
DRAFT: 20160216-2C		PART NAME: Gate	
DSI Digger Erectables, Inc. 3446 US 6 EAST Bremen, IN 46506		SHEET REV. OF B	