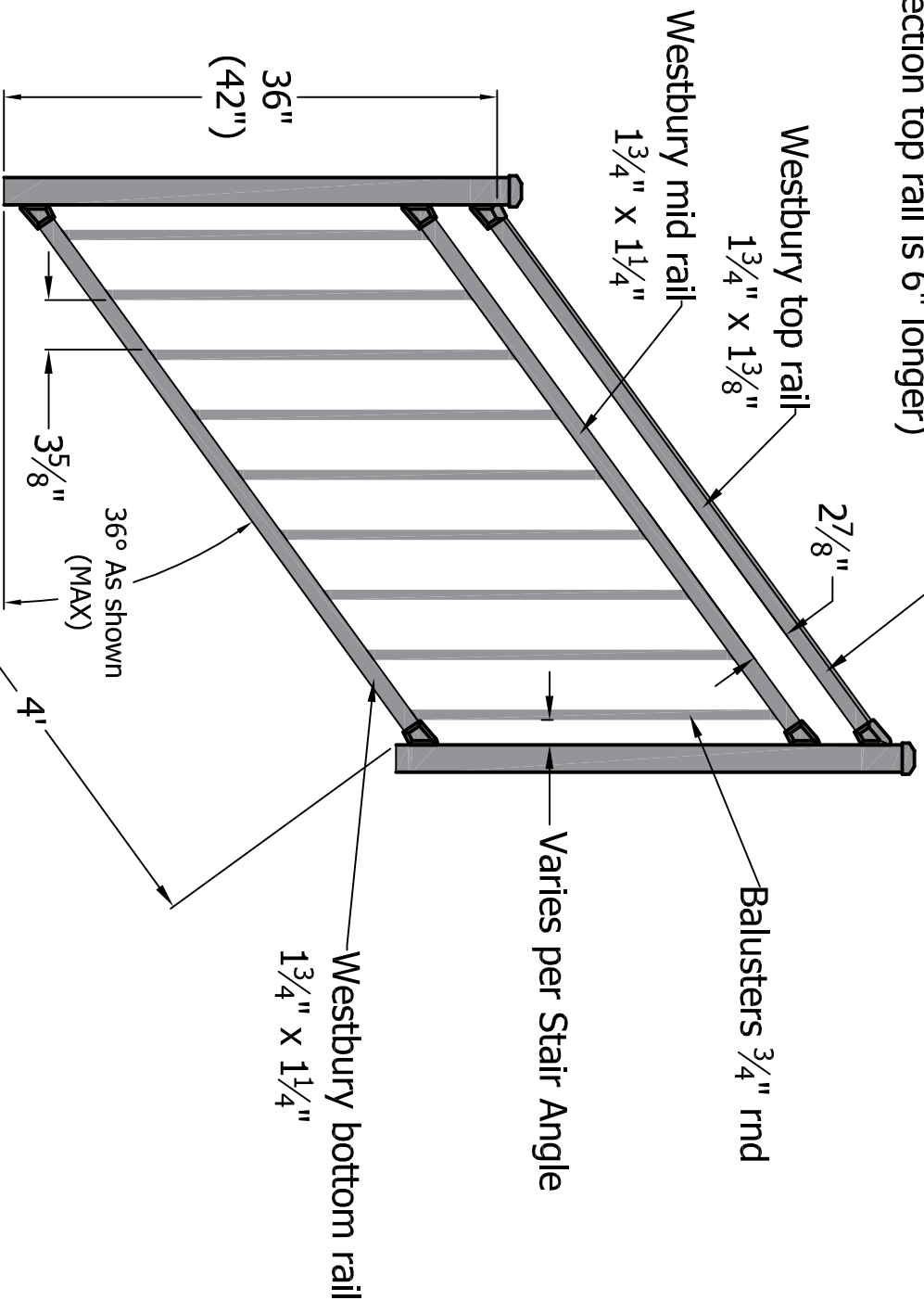
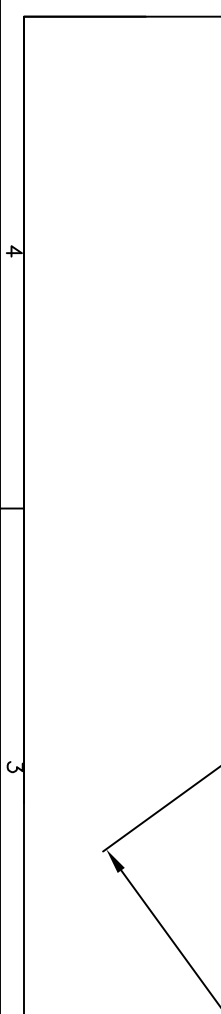


REV.	REVISION	DATE

Standard Stair Section shown
 (Crossover Stair Section top rail is 6" longer)



SHEET SIZE = C		DRAWN BY: cm		PART NUMBER:	
SCALE = none		DATE DRAWN: 03-18-2015		STYLE: C301 Riviera	
STANDARD TOLERANCES: .000 ±.01 FRACTIONS: ANG. ±.5° ±.1"		FILE LOC: Z:\Aluminum\Westbury\C301 Riviera\C30		FILE NAME: C301 4 ft Stair Section	
FINISH:		DRAFT: 20150318-2C		REV.	
DSI Digger Steel, Inc. 3446 US 6 EAST Bremen, IN 46506					



4

3

2

1

A

B

C

D