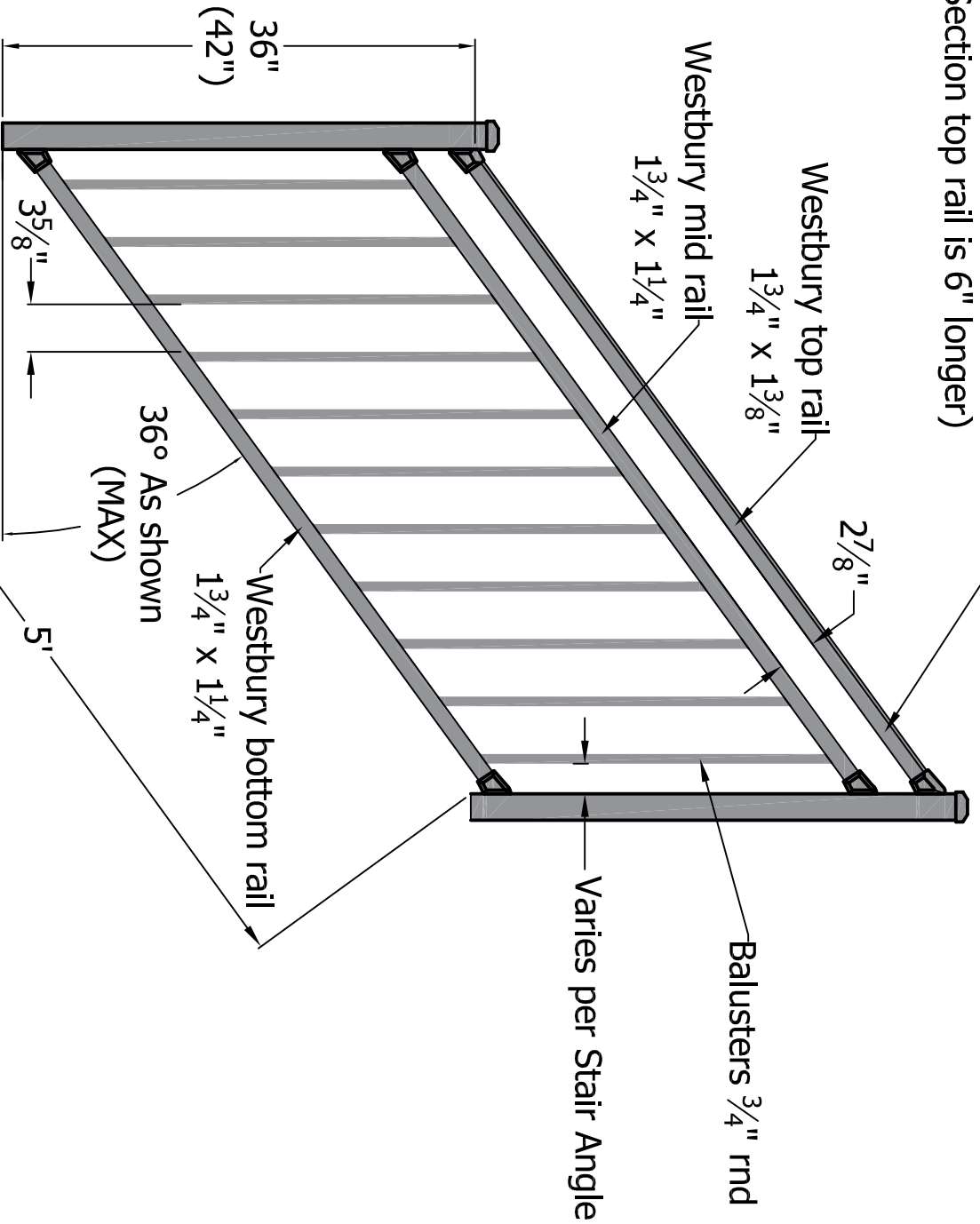


Standard Stair Section shown
 (Crossover Stair Section top rail is 6" longer)



REV.	REVISION	DATE

FINISH: STANDARD TOLERANCE: .000 ±.01 FRACTIONS: .005 ±.005 ANG. ±.5°	SHEET SIZE = C SCALE = none DATE DRAWN: 03-18-2015	DRAWN BY: cm DATE DRAWN: 03-18-2015	PART NUMBER: C301
DRAFT: 20150318-3C	FILE LOC: Z:\Aluminum\Westbury\C301 Riviera\C301	FILE NAME: C301 5 ft Stair Section	REV.

DSI Digger Specialties, Inc.
 3446 US 6 EAST
 Bremen, IN 46506

4 3 2 1