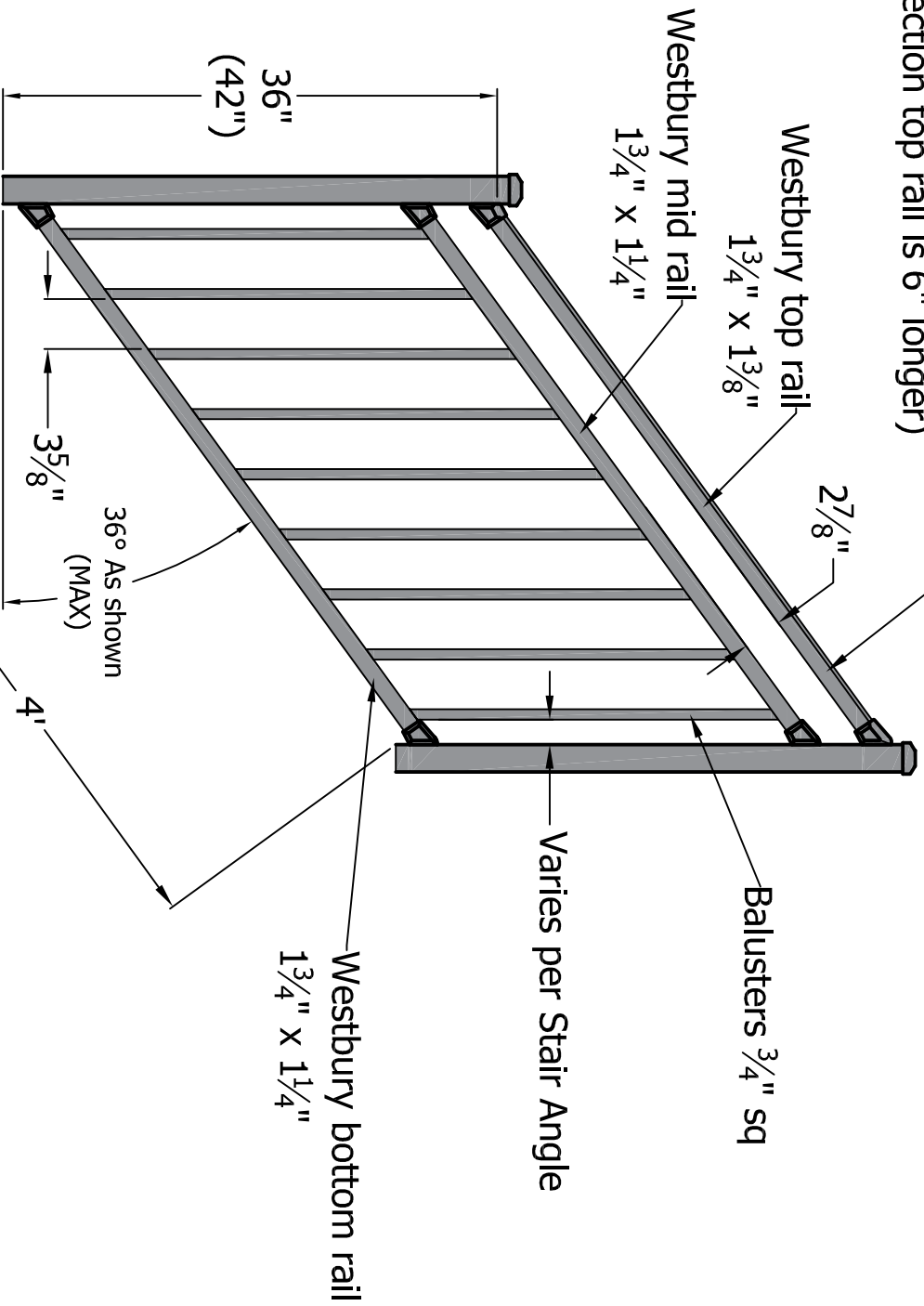


Standard Stair Section shown
 (Crossover Stair Section top rail is 6" longer)



REV.	REVISION	DATE
20100826-2	made $3\frac{1}{8}''$ dim vertical LO aligned	8-26-10
20101025-3	Changed mid rail location	10-25-10
C	Baluster spacing 3.625", increased hole size to accommodate 3/4" stair	2/12/15

DSI Digger Specialties, Inc.
 3446 US 6 EAST
 Bremen, IN 46506

SHEET SIZE = C	DRAWN BY: wjm	PART NUMBER:
SCALE = none	DATE DRAWN: 12-16-2009	
STANDARD TOLERANCE: .000 ±.01	FILE LOC: Z:\Aluminum\Westbury\C30	STYLE: RIVERA
FRACTIONS: ANG. ±.5°	Rivera\C30	FILE NAME: C30 4ft Stair Section
FINISH:	DRAFT: 20101025-3	REV. C