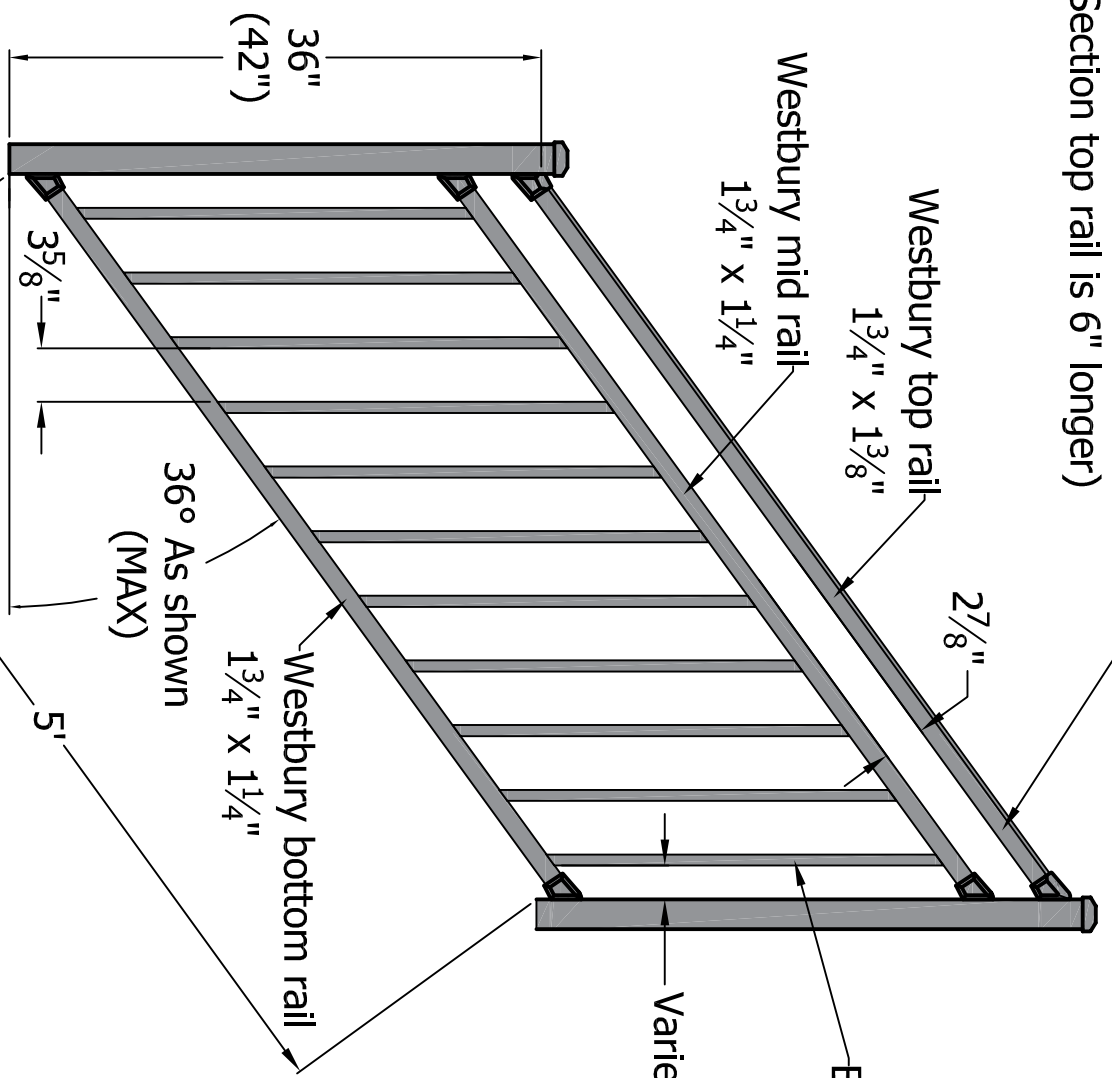


Standard Stair Section shown  
 (Crossover Stair Section top rail is 6" longer)



REV.	REVISION	DATE
20100826-2	made 3/8" dim vertical LO aligned	8-26-10
20101025-3	Changed mid rail location	10-25-10
C	Baluster spacing 3.625", increased hole size to accommodate 3/8" stair	2/12/15

SHEET SIZE = C		DRAWN BY: wjm		PART NUMBER:	
SCALE = none		DATE DRAWN: 12-16-2009		STYLE:	
STANDARD TOLERANCE: .00 ±.01		FILE LOC: Z:\Aluminum\Westbury\C30		RIVERA	
FRACTIONS: ANG. ±.5° ±.1"		RIVERA C30		FILE NAME: C30 5ft Stair Section	
FINISH:		DRAWN: 20101025-3		REV: C	
3446 US 6 EAST Bremen, IN 46506					