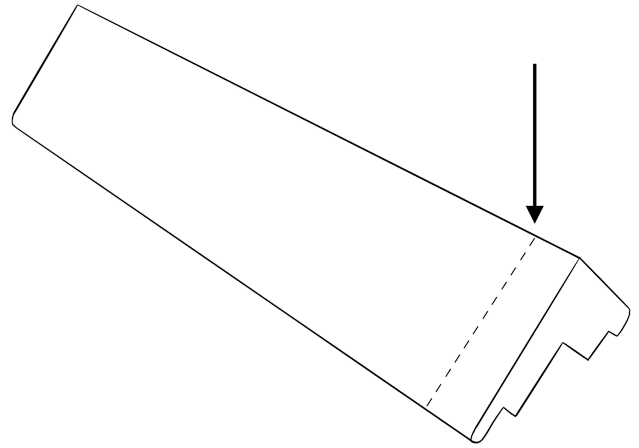


INSTALLING THE FASCIA SEAM GUARD & COVER

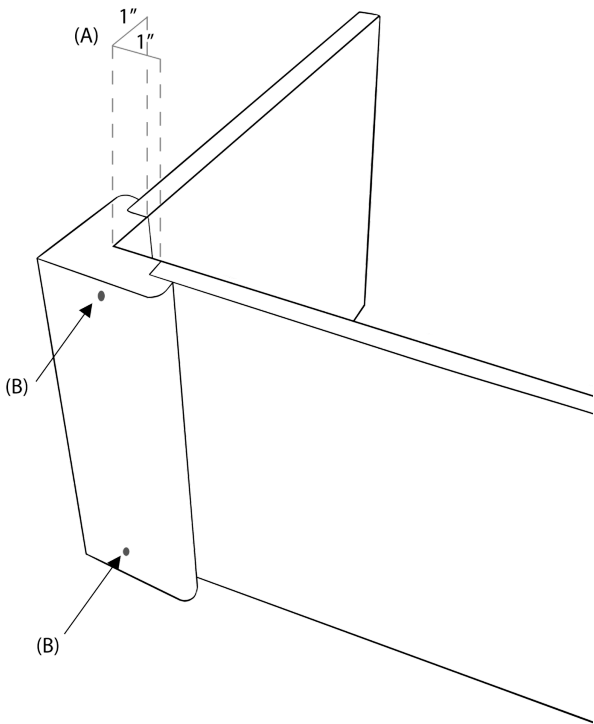
Step 1. CUTTING THE SEAM COVER

Your fascia seam cover should be cut at either, the same height as your fascia or, cut with an additional half inch for a reveal. Whichever is your preference.



Step 2. FASCIA BOARD INSTALLATION

Using an impact driver and appropriate screws, install your fascia boards 1" away from the corner of the deck as shown below in figure A.



Step 3. SEAM COVER INSTALLATION

Once your fascia boards are installed, you will want to pre-drill 1-1/2" away from the corner of the seam cover as shown in figure B. Be sure that your drill hole doesn't catch on the fascia boards. Once your holes are pre-drilled, you can safely install the seam cover with the appropriate screws. If your fascia boards were installed correctly you should have a perfectly fitting seam cover.