

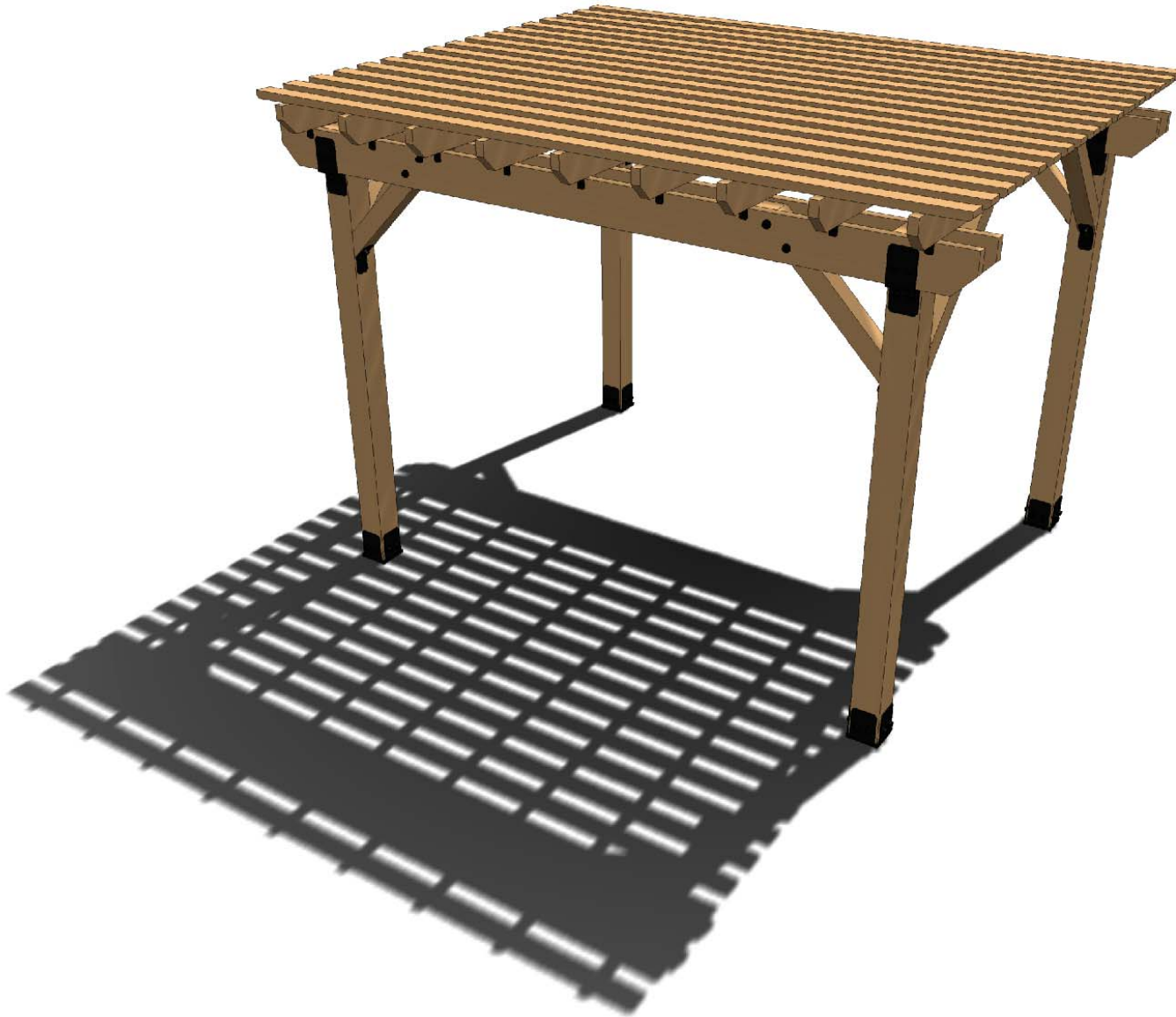
**DESIGN**

**PURCHASE**

**CONSTRUCT**

**ENJOY**

# OZCO Project #332 Pergola 10x12

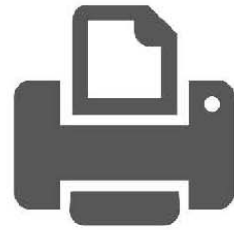


OZCO Project #332 Pergola 10x12



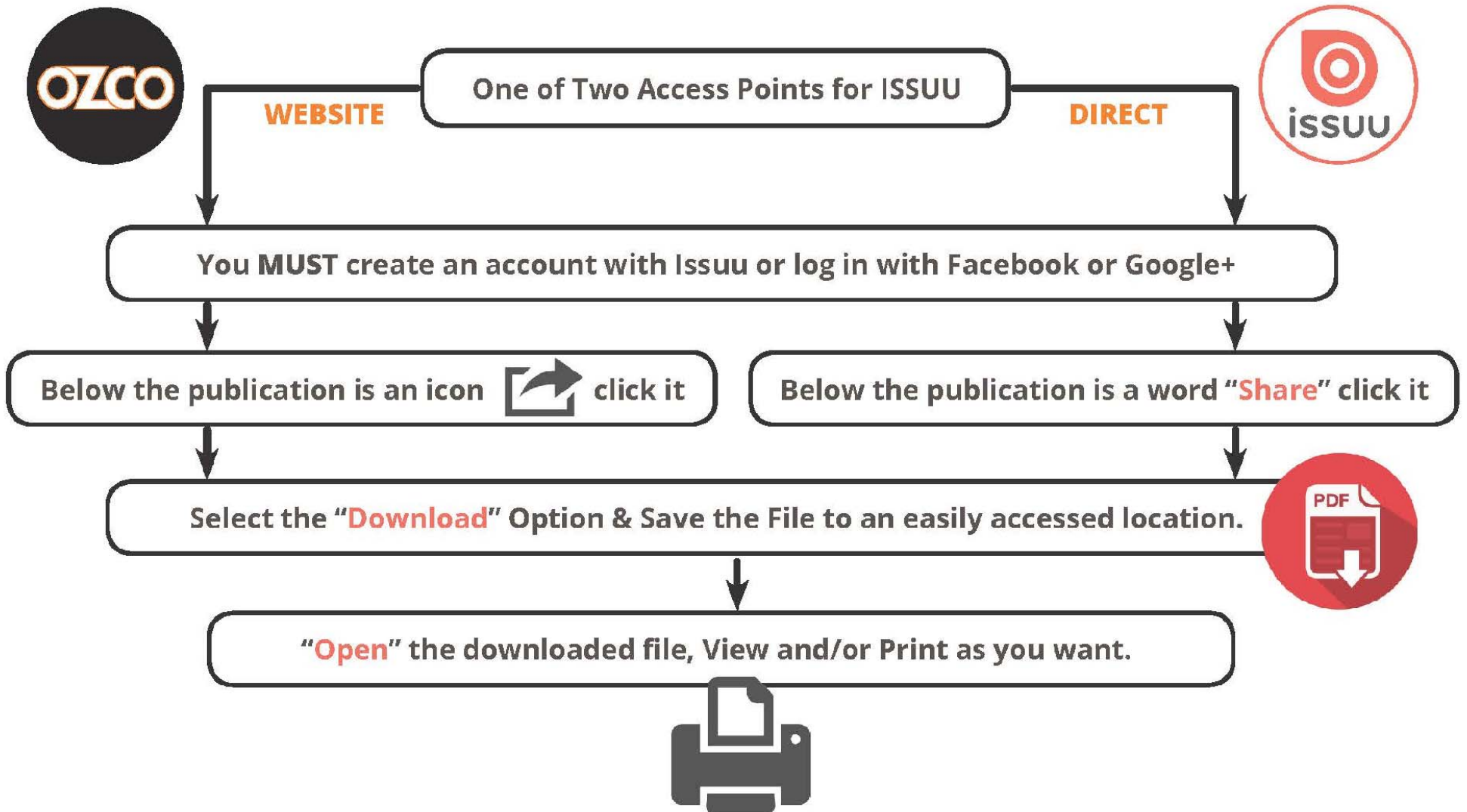
**OZCO** BUILDING PRODUCTS ■ ■ ■ ■

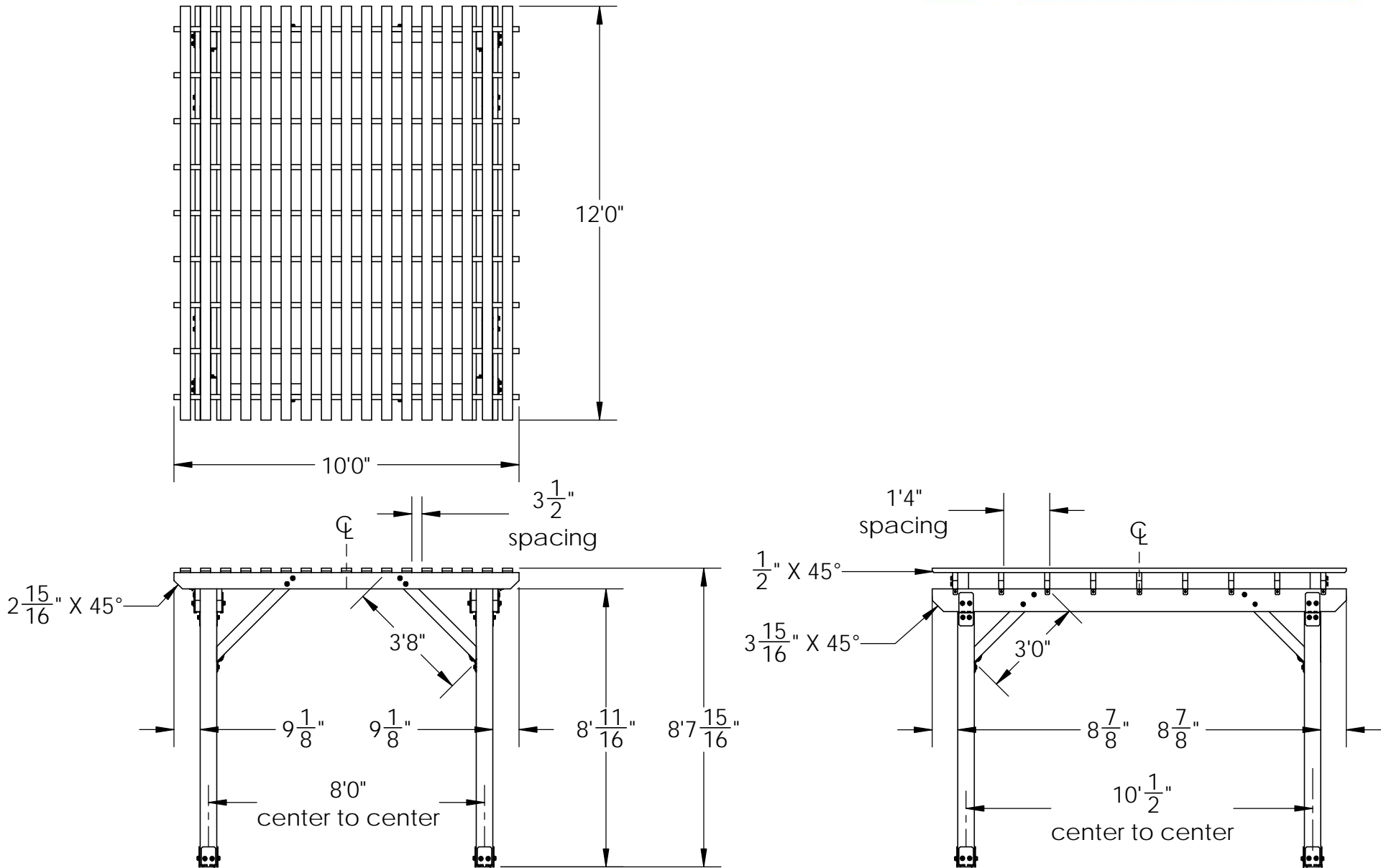
V2.00 - Installation Instructions, Specifications and Project Plans are effective 2/8/2017 . This information is updated periodically and should not be relied upon after 2 years from 2/8/2017 . Please visit [OZCOBP.com](http://OZCOBP.com) to get current information.



# Printing Documents from ISSUU

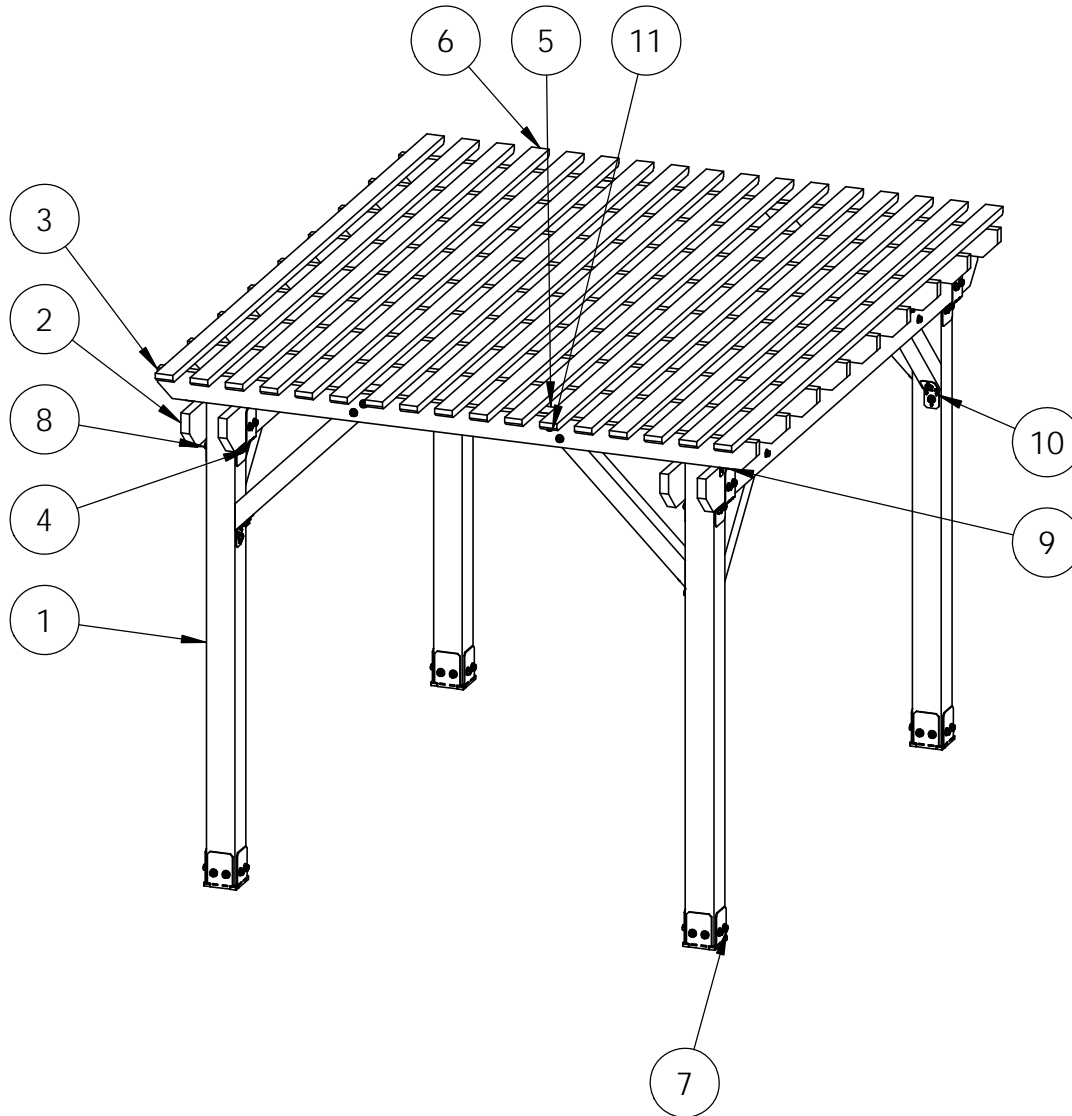
Unfortunately, there is currently no way to print content directly through issuu. To print a publication, you will need to download it and print it from your computer.





## Overview

OZCO Project #332 Pergola 10x12



ITEM NO.	QTY.	PART NUMBER	DESCRIPTION
1	4	6x6 Cedar Post	6x6x8'0"
2	4	2x8 Cedar Board	2x8x12'0"
3	9	2x6 Cedar Board	2x6x10'0"
4	4	4x4 Cedar Support	4x4x3'0"
5	4	4x4 Cedar Support	4x4x3'8"
6	17	2x4 Cedar Board	2x4x12'0"
7	4	51708	6x6 Post Base (6x6-PB-IW)
8	4	51710	8" Post to Beam (P2B-IW-8)
9	2	51717	2" Standard Rafter Clip (RC-IW-2)
10	2	51768	4" Flush Inside 45 (FI45-IW-4) Screw, OWT 3-3/4" (95mm)
11	1	56627	Timber with HCN
	0.1	56621	1 1/2" Hex Cap Nut (HCN)

## Bill of Materials

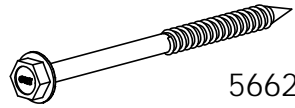
OZCO Project #332 Pergola 10x12

QTY.	PART NUMBER	DESCRIPTION
4	51708	6x6 Post Base (6x6-PB-IW)
4	51710	8" Post to Beam (P2B-IW-8)
2	51717	2" Standard Rafter Clip (RC-IW-2)
2	51768	4" Flush Inside 45 (FI45-IW-4)
1	56628	Screw, OWT 5-3/4" (145mm) Timber with HCN
2	56621	1 1/2" Hex Cap Nut (HCN)
4	6x6X8L	6x6x8
4	2x8X12L	2x8x12
9	2x6X10L	2x6x10
17	2x4x12L	2x4x12
1	4x4x12L	4x4x12
2	4x4x8L	4x4x8

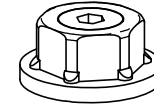
## Material List

OZCO Project #332 Pergola 10x12

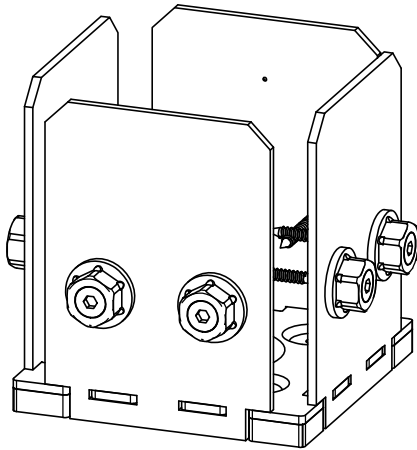
V2.00 - Installation Instructions, Specifications and Project Plans are effective 3/14/2018 . This information is updated periodically 5 and should not be relied upon after 2 years from 3/14/2018 . Please visit OZCOBP.com to get current information.



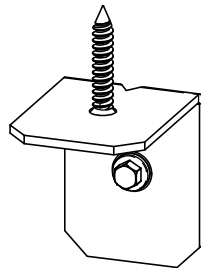
56627



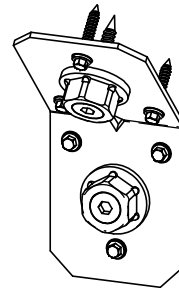
56621



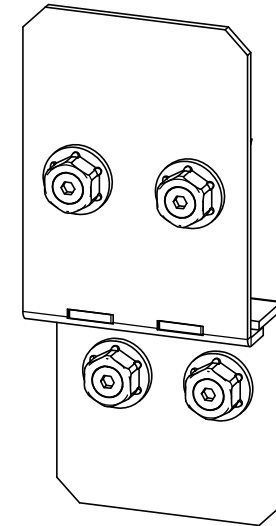
51708



51717



51768



51710





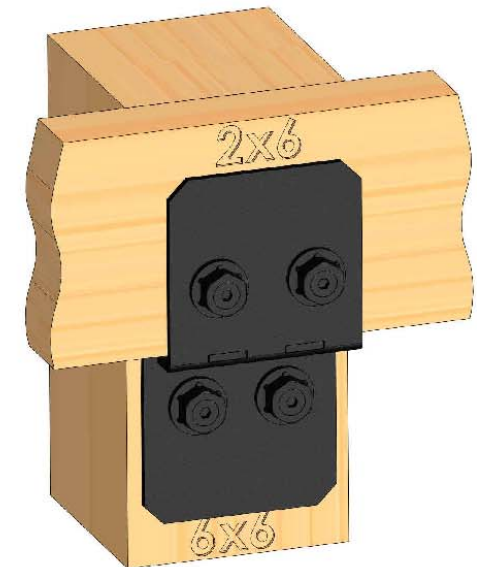
# Laredo Sunset & Ironwood



Laredo Sunset  
(566XX series)

2 great styles  
Same functionality  
choose your  
connection lifestyle

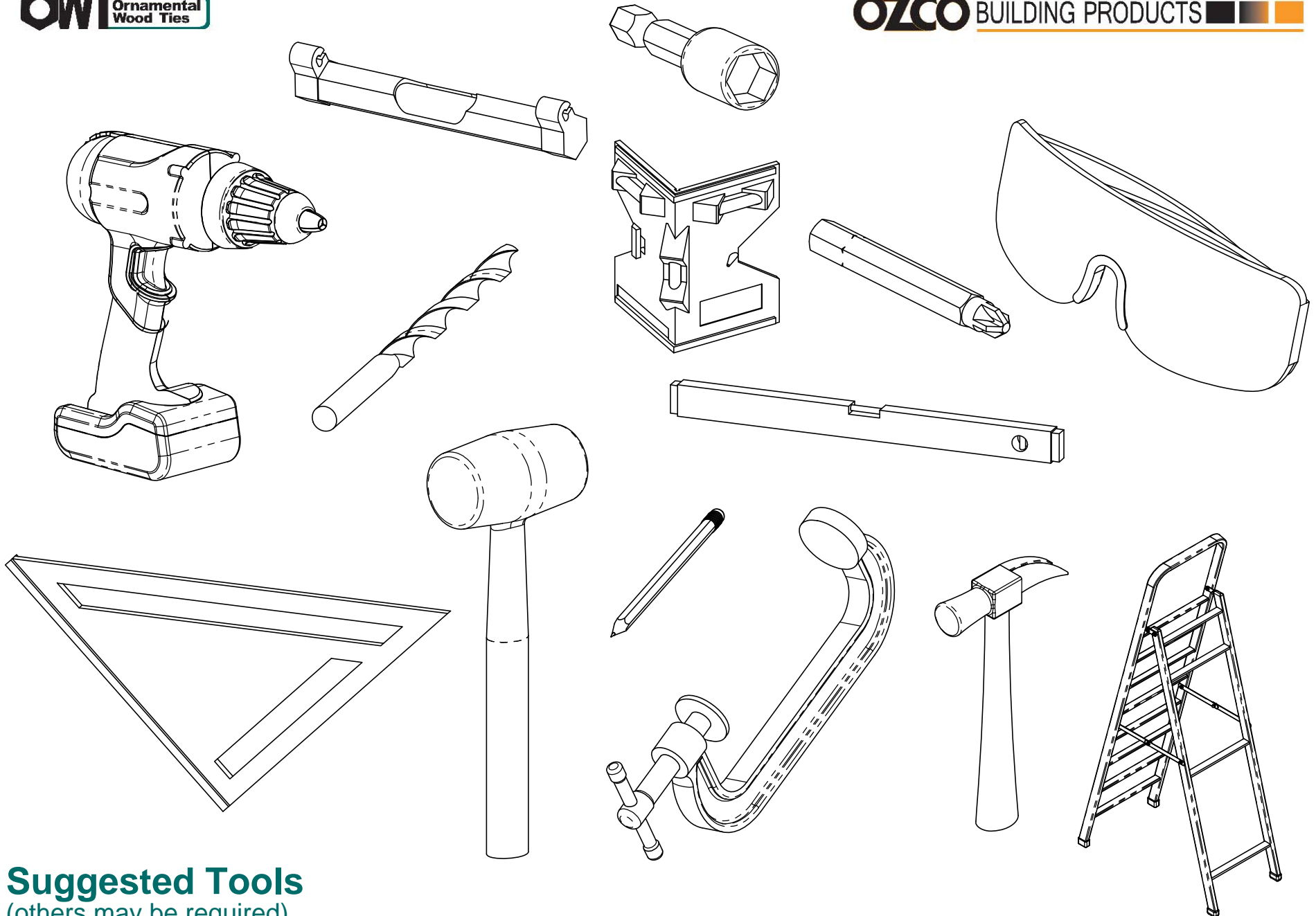
both styles available for  
most products



Ironwood  
(517XX series)



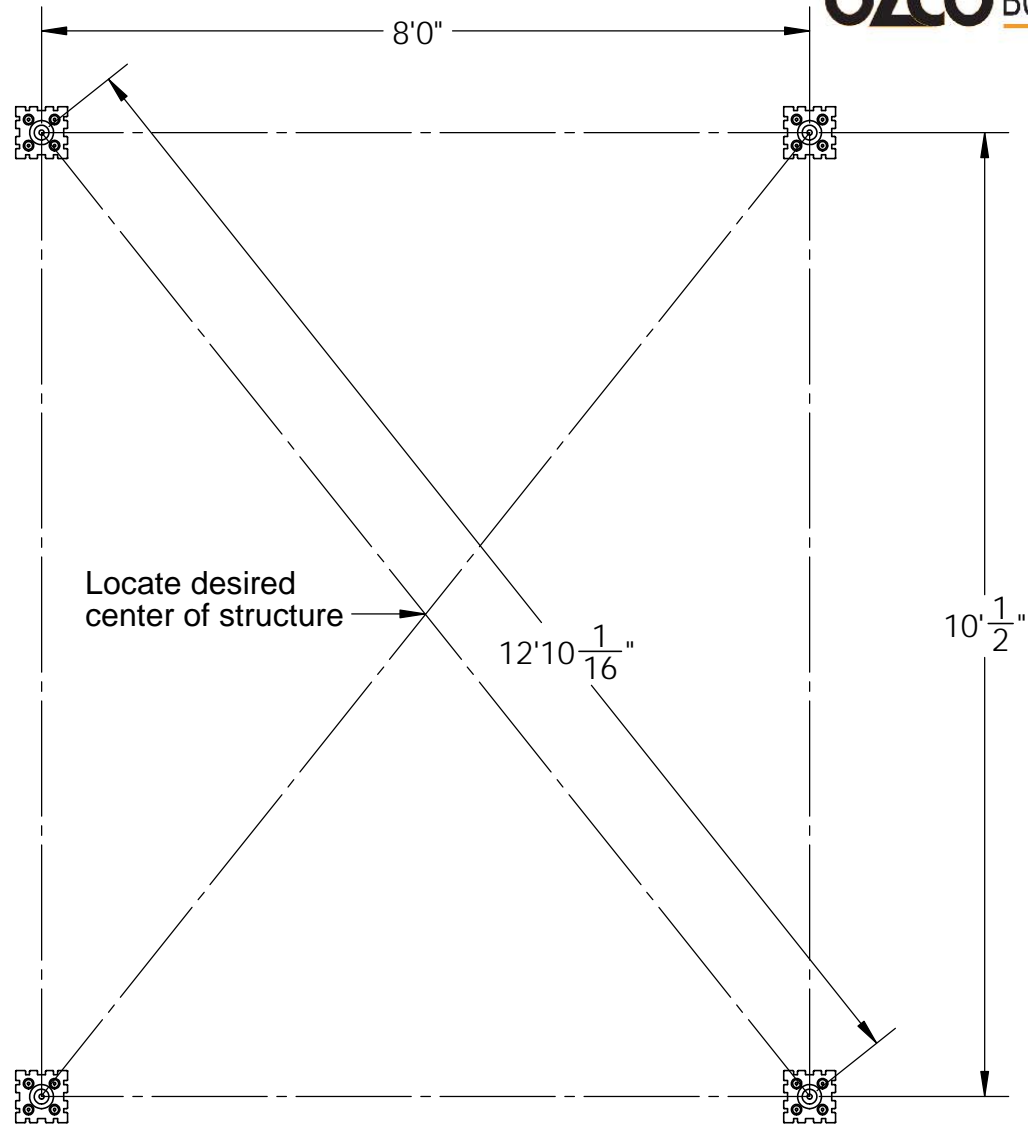
OZCO BUILDING PRODUCTS ■ ■ ■ ■



**Suggested Tools**  
(others may be required)

OZCO Project #332 Pergola 10x12



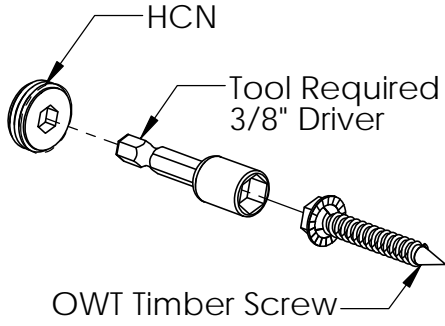
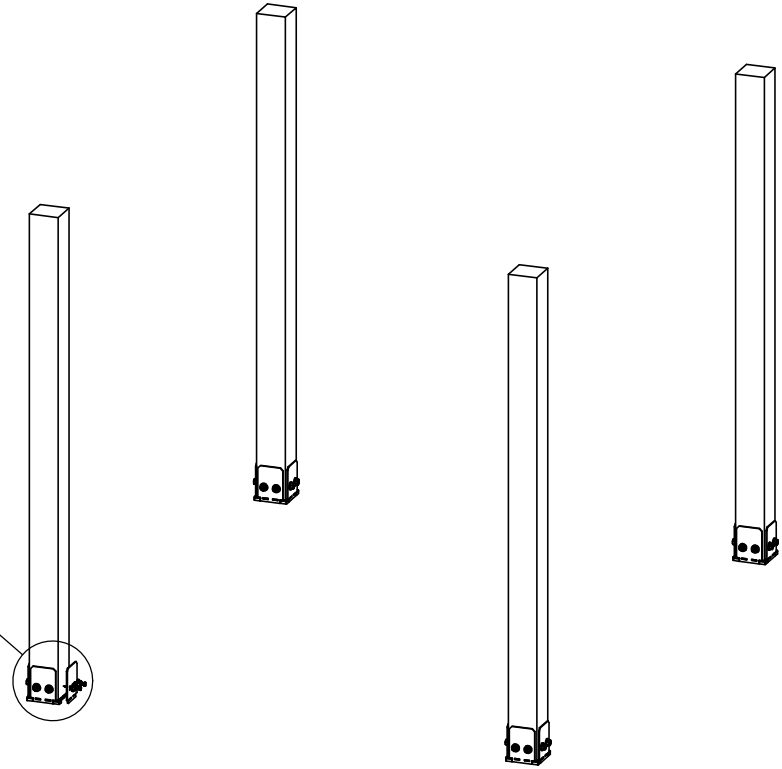
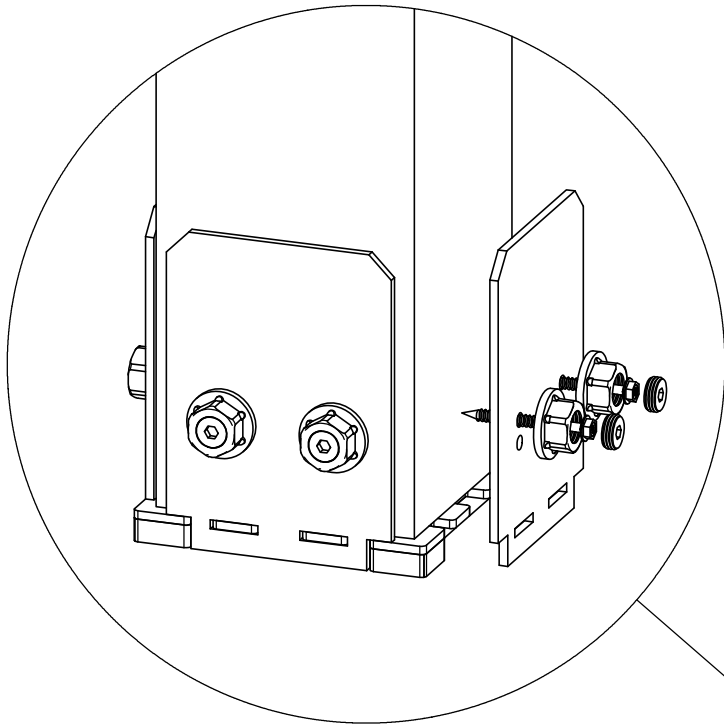


if site is not level,  
see Ozco Site Leveling instruction



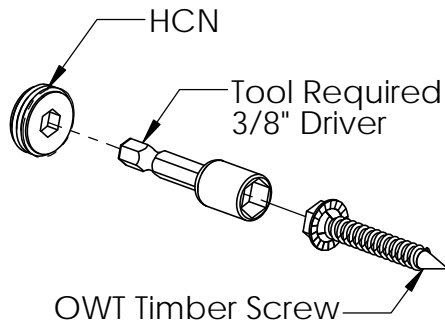
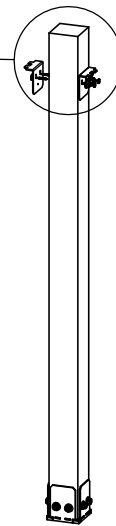
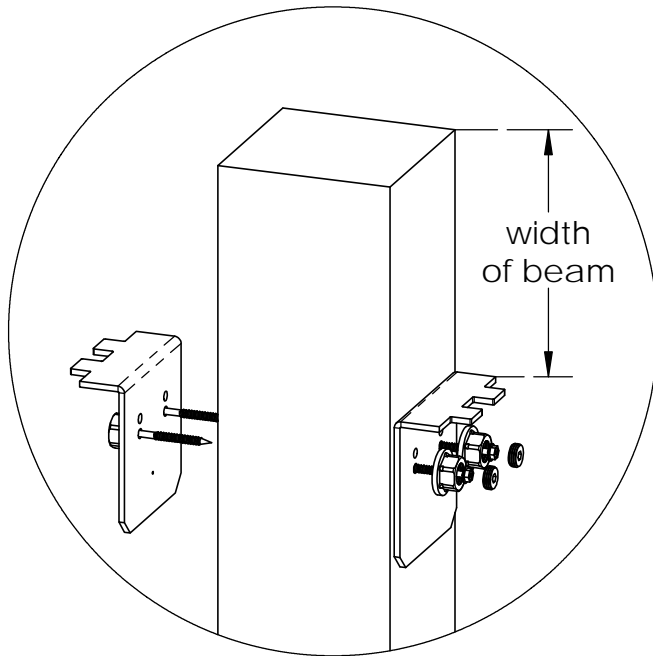
**site plan**

OZCO Project #332 Pergola 10x12



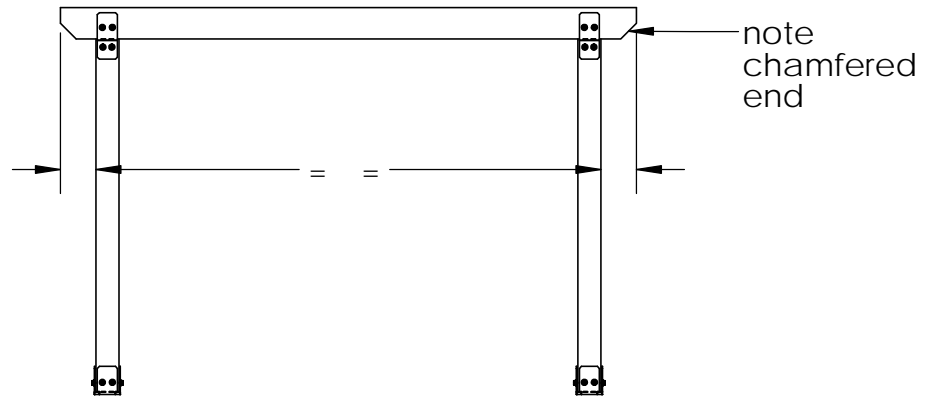
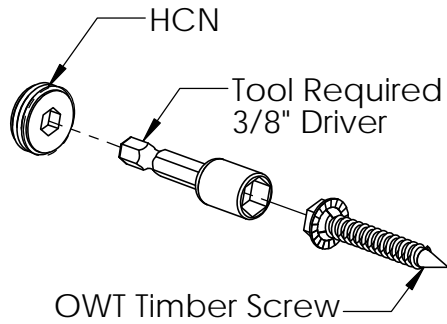
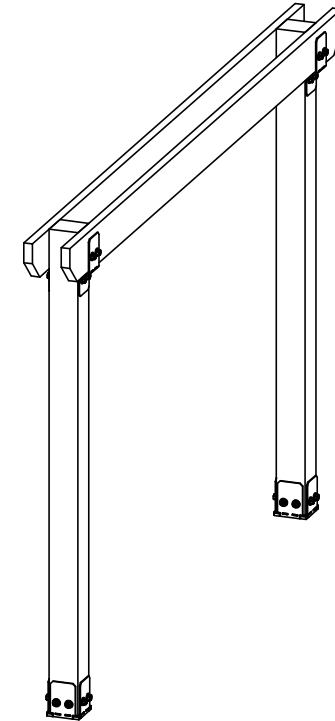
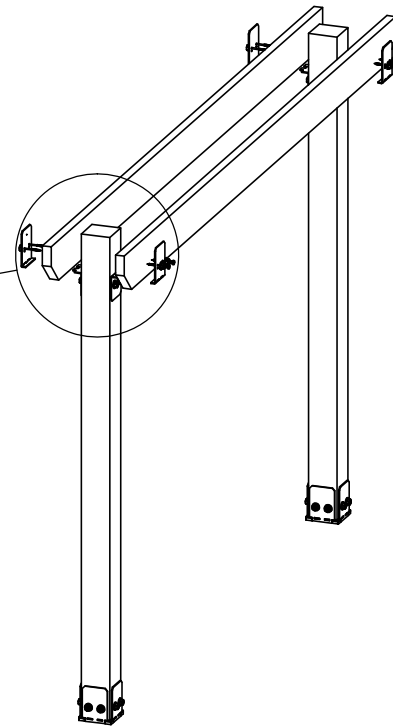
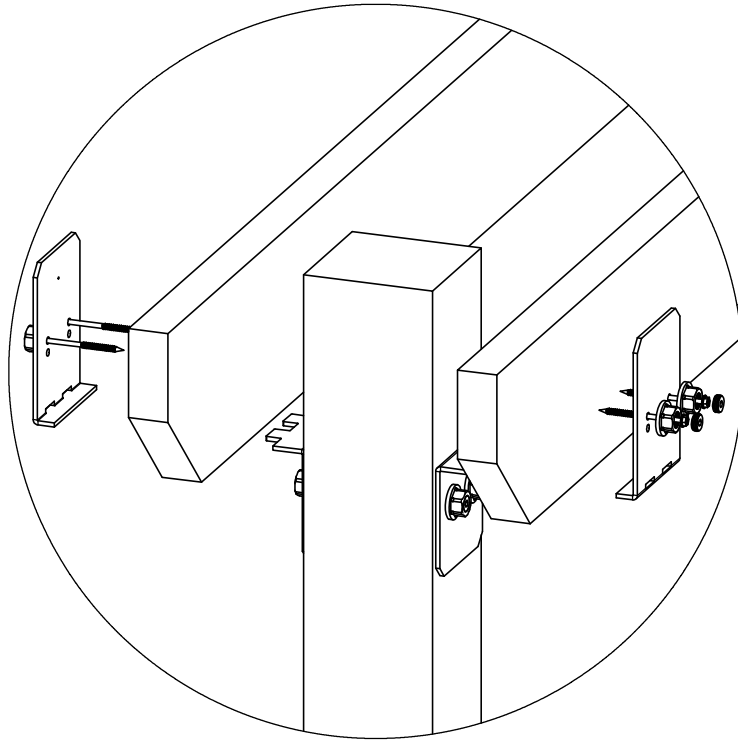
# step 1

OZCO Project #332 Pergola 10x12



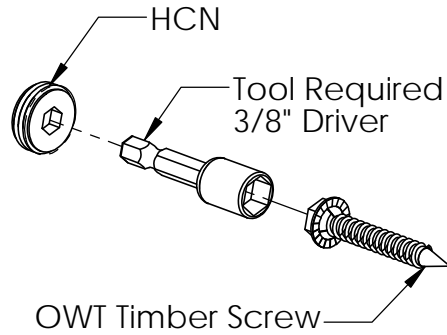
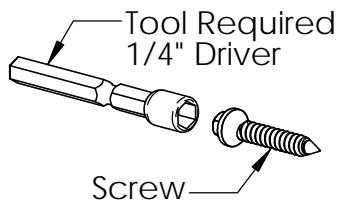
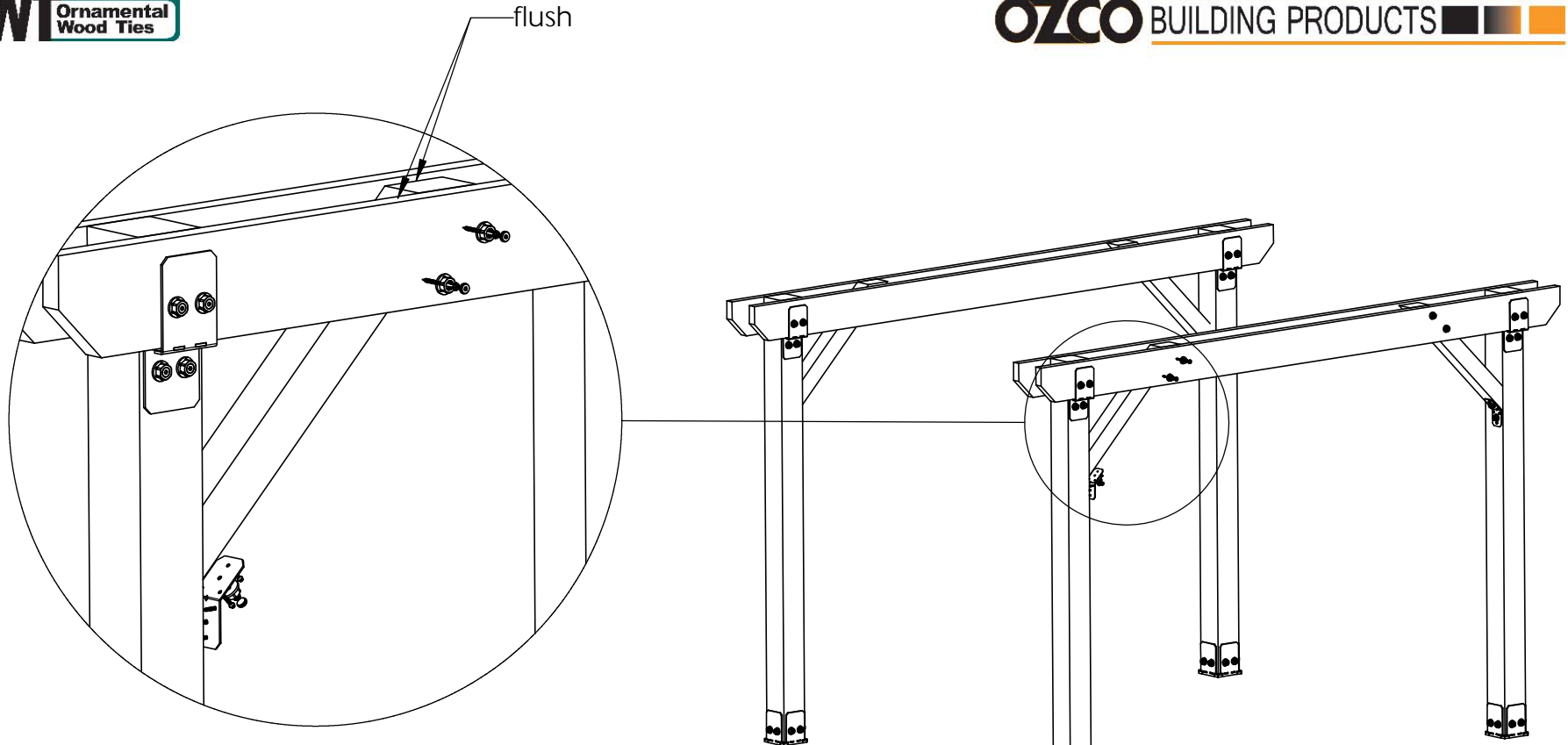
## step 2

OZCO Project #332 Pergola 10x12



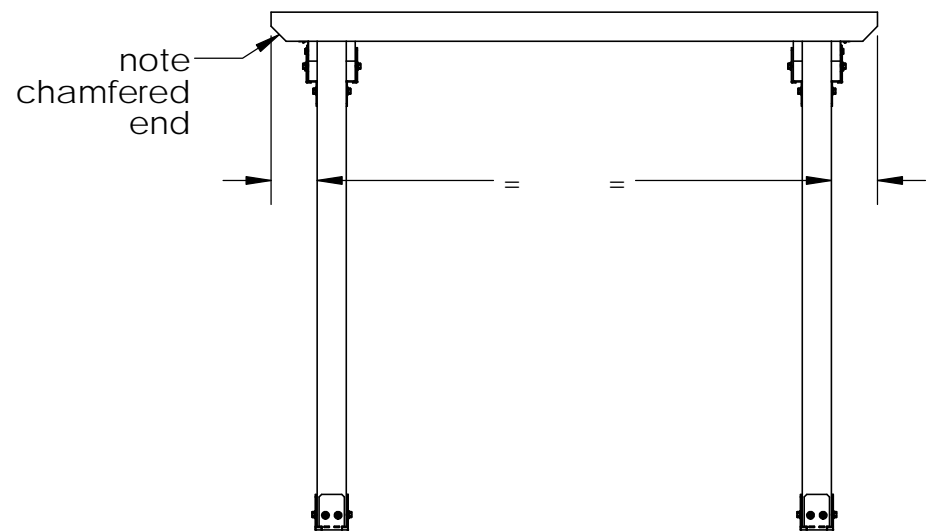
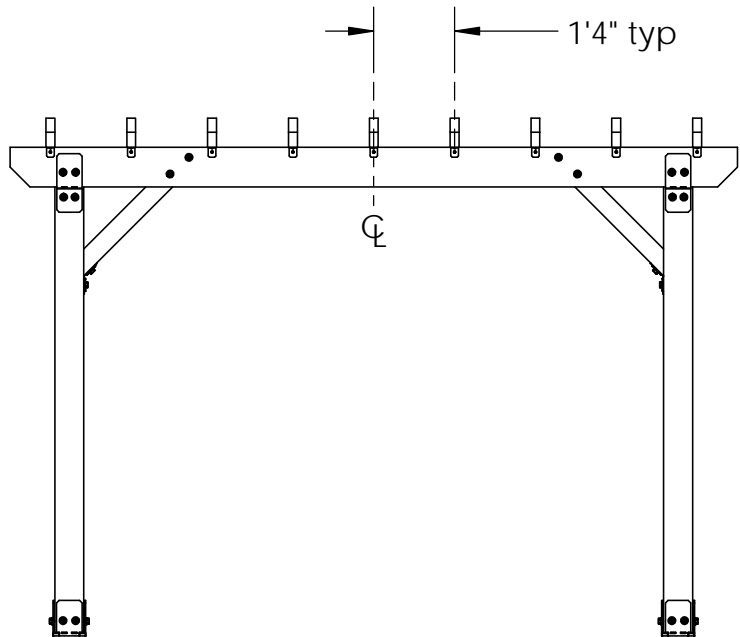
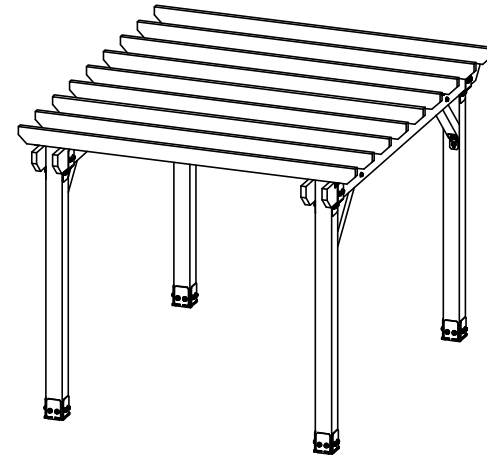
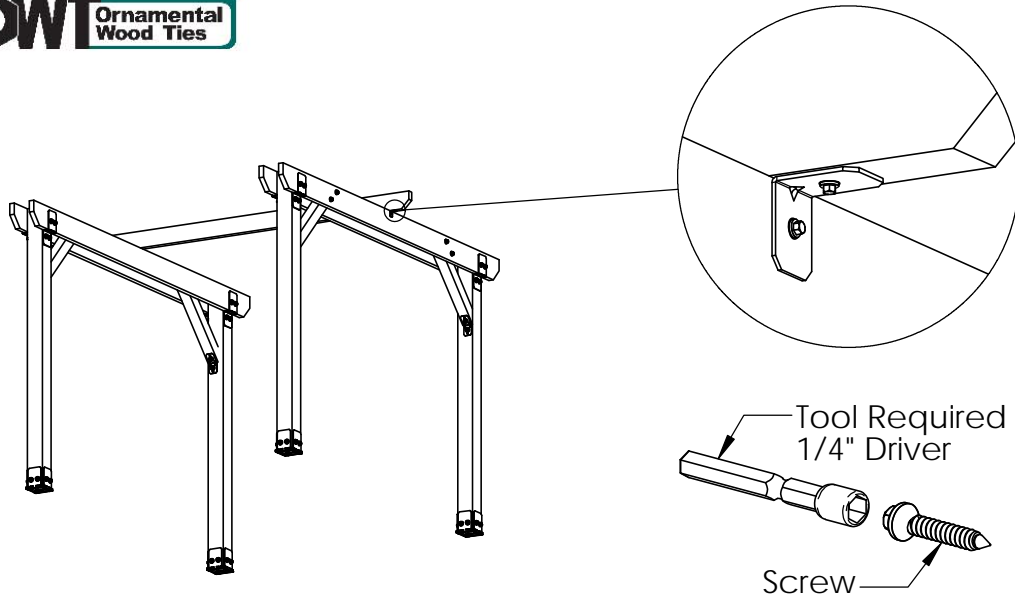
### step 3

OZCO Project #332 Pergola 10x12



## step 4

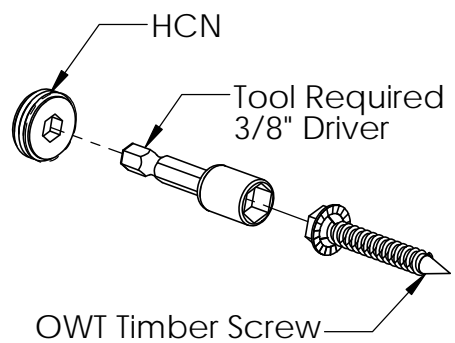
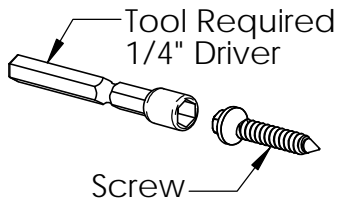
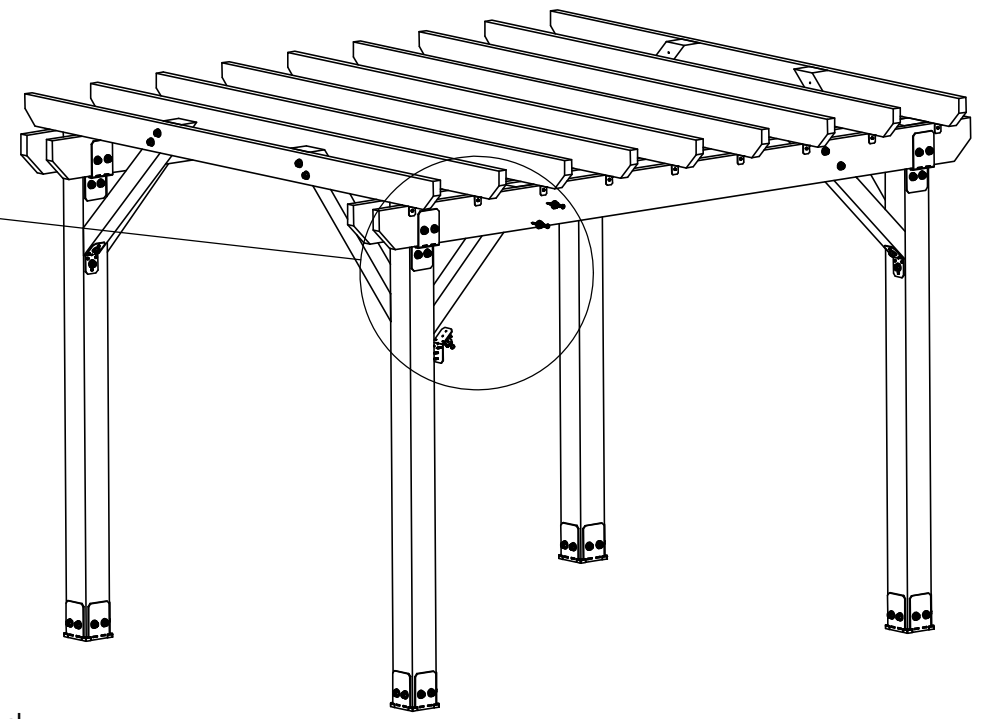
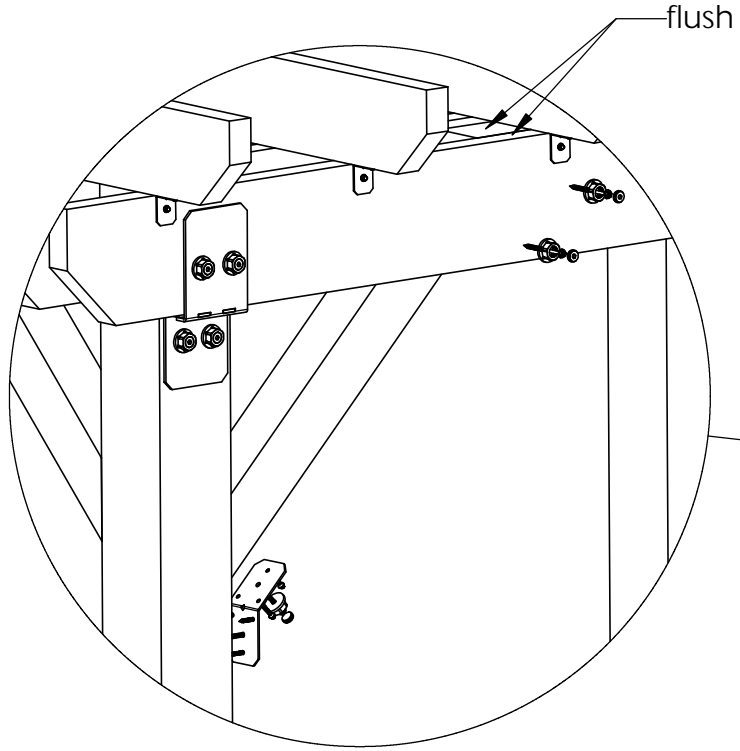
OZCO Project #332 Pergola 10x12



**step 5**

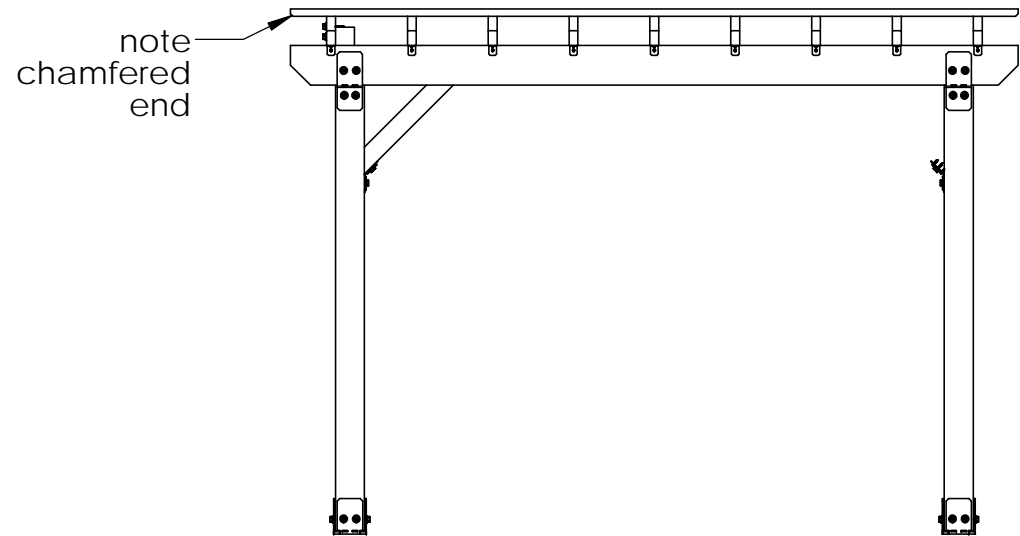
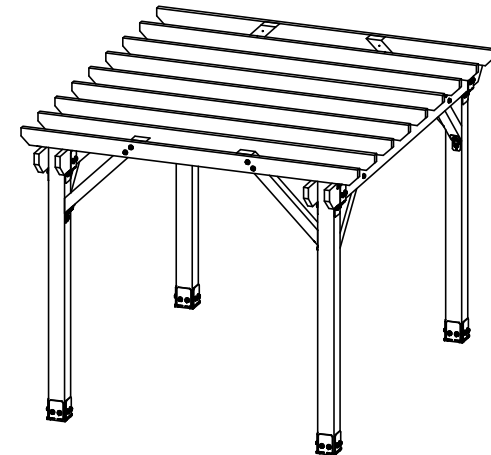
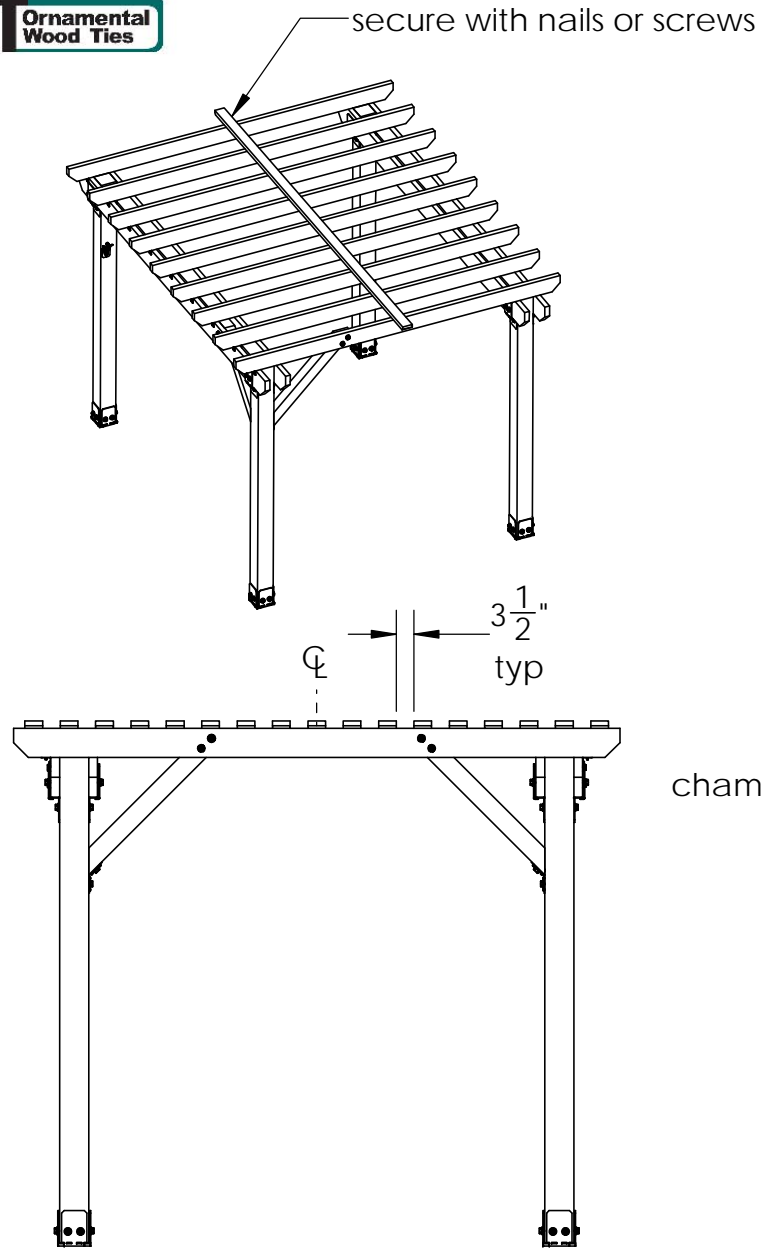
OZCO Project #332 Pergola 10x12





## step 6

OZCO Project #332 Pergola 10x12



## step 7

OZCO Project #332 Pergola 10x12