

DESIGN

PURCHASE

CONSTRUCT

ENJOY

OZCO Project #834 IW- Corner Pergola 10x10x16



OZCO BUILDING PRODUCTS ■ ■ ■ ■

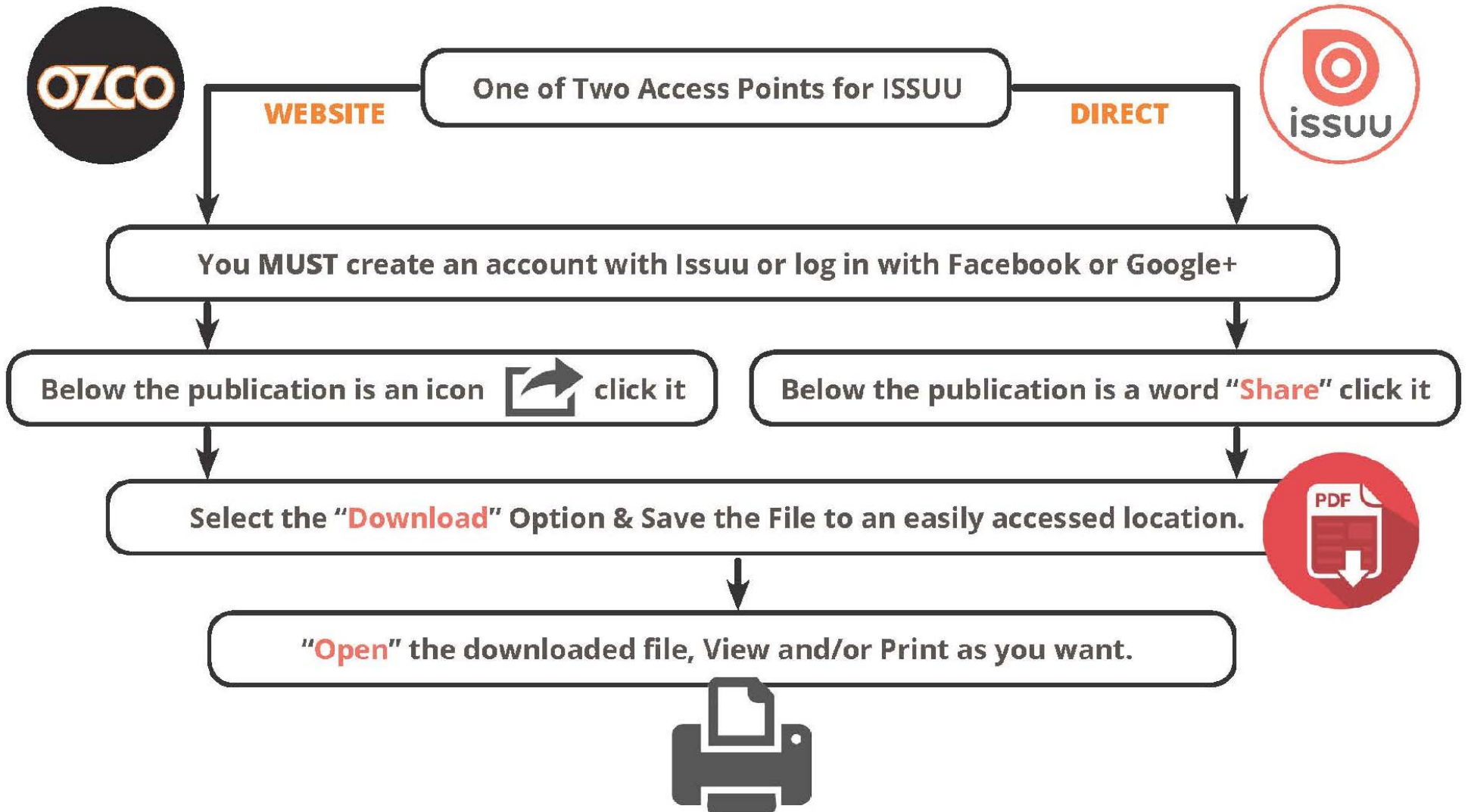
OZCO Project #834 IW- Corner Pergola 10x10x16

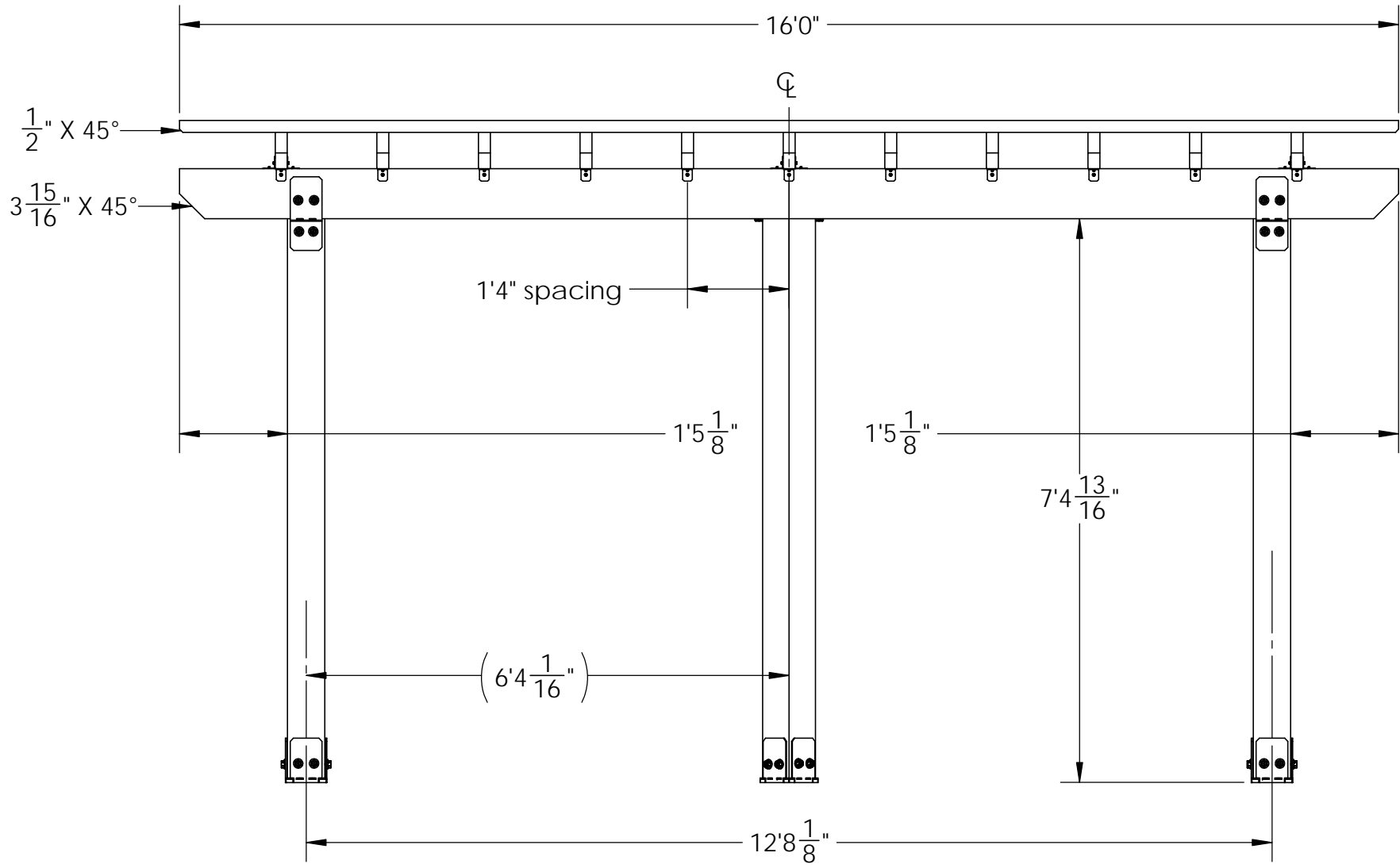
V2.00 - Installation Instructions, Specifications and Project Plans are effective 6/16/2017 . This information is updated periodically and should not be relied upon after 2 years from 6/16/2017 . Please visit OZCOBP.com to get current information. 1



Printing Documents from ISSUU

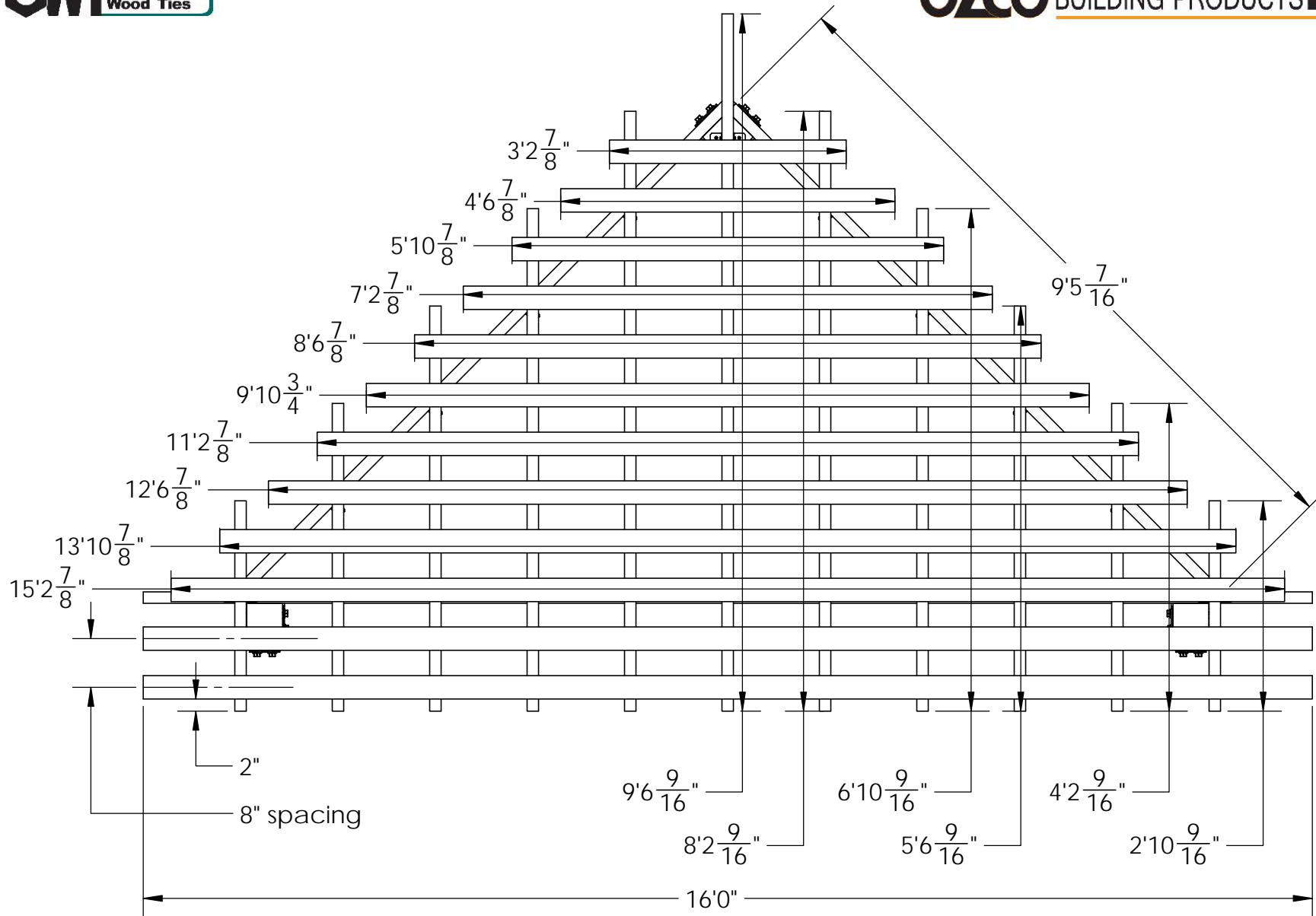
Unfortunately, there is currently no way to print content directly through issuu. To print a publication, you will need to download it and print it from your computer.





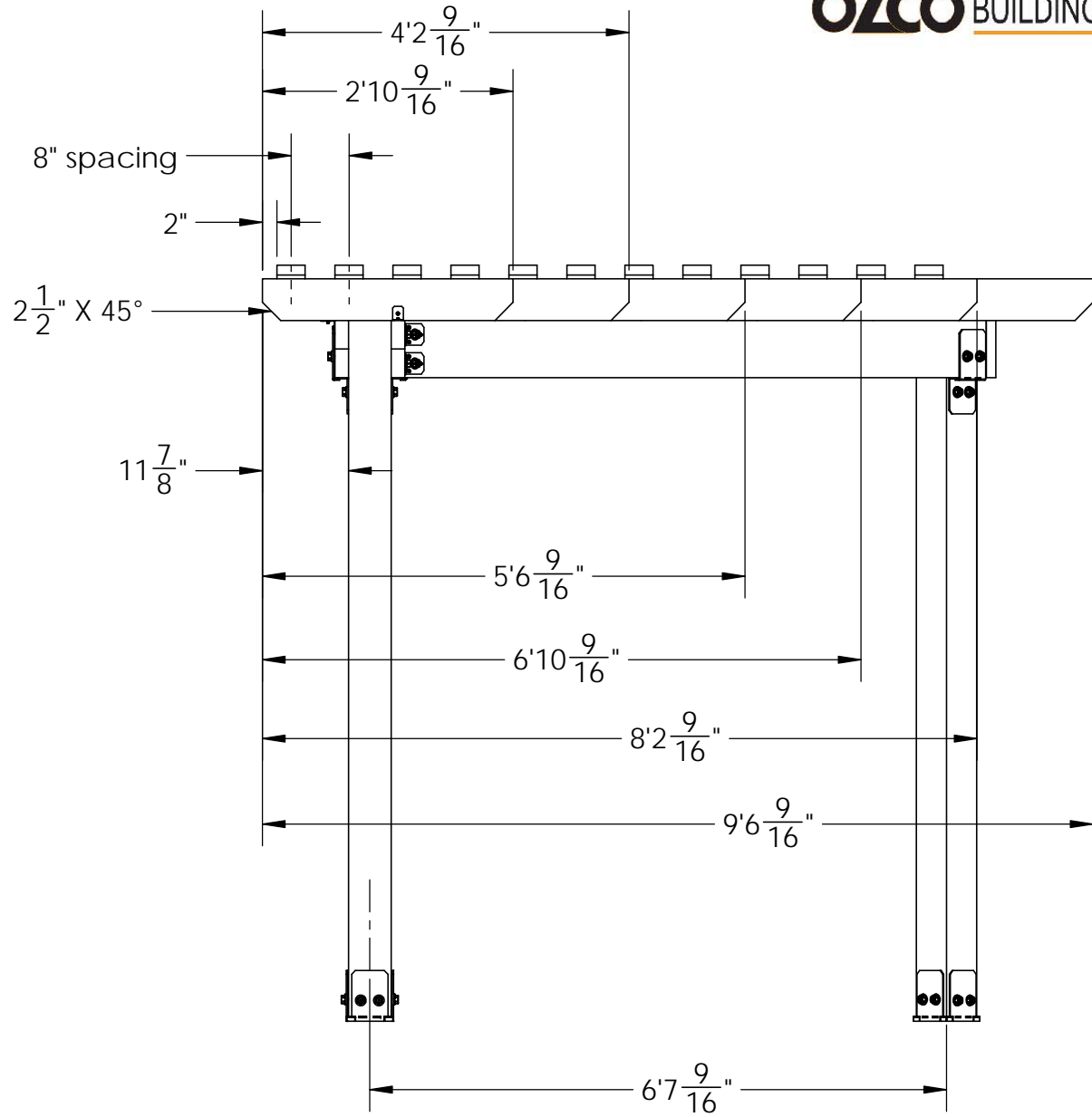
Corner Pergola

OZCO Project #834 IW- Corner Pergola
10x10x16



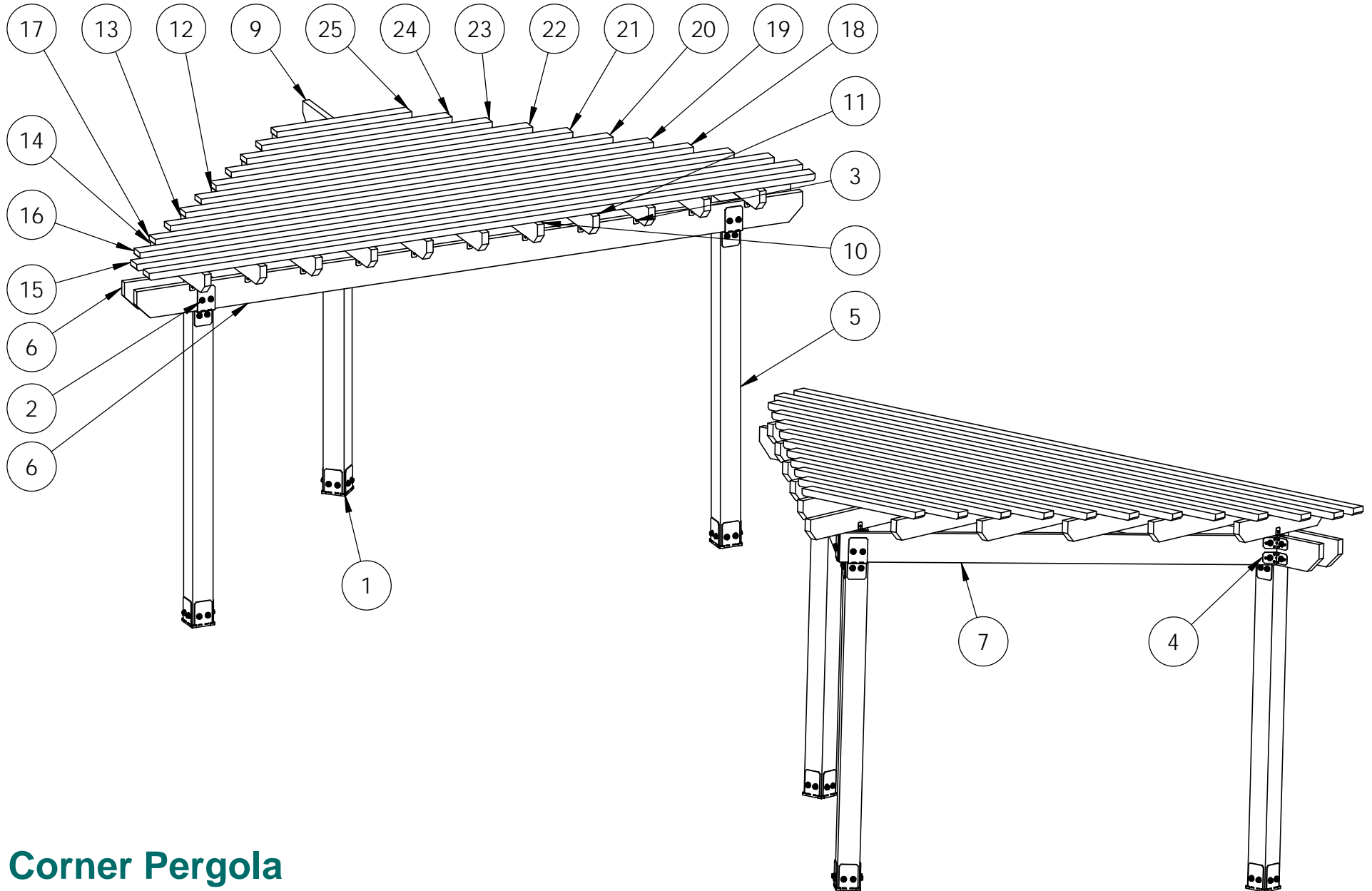
Corner Pergola

OZCO Project #834 IW- Corner Pergola
10x10x16



Corner Pergola

OZCO Project #834 IW- Corner Pergola
10x10x16



Corner Pergola

OZCO Project #834 IW- Corner Pergola
10x10x16

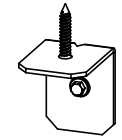
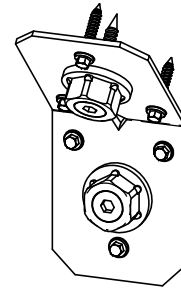
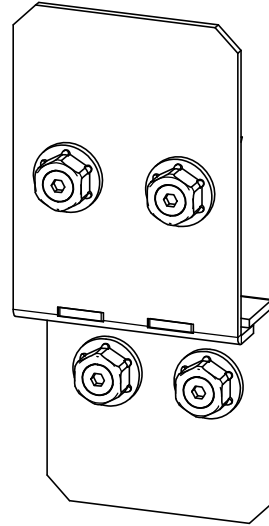
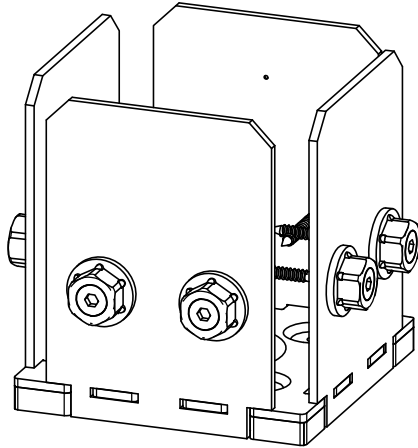
ITEM NO.	QTY.	PART NUMBER	DESCRIPTION
1	3	51708	6x6 Post Base (6x6-PB-IW)
2	3	51710	8" Post to Beam (P2B-IW-8)
3	2.5	51717	8" Post to Beam (P2B-IW-8)
4	1	51768	4" Flush Inside 45 (FI45-IW-4)
5	3	6x6 Cedar Post	6x6x8'0"
6	2	2x8 Cedar Board	2x8x16'0"
7	1	2x8 Cedar Board	2x8x9'7 5/16"
8	1	2x8 Cedar Board	2x8x9'5 7/16"
9	1	2x6 Cedar Board	2x6x9'6 9/16"
10	2	2x6 Cedar Board	2x6x8'2 9/16"
11	2	2x6 Cedar Board	2x6x6'10 9/16"
12	2	2x6 Cedar Board	2x6x5'6 9/16"
13	2	2x6 Cedar Board	2x6x4'2 9/16"
14	2	2x6 Cedar Board	2x6x2'10 9/16"
15	2	2x4 Cedar Board	2x4x16'0"
16	1	2x4 Cedar Board	2x4x15'2 7/8"
17	1	2x4 Cedar Board	2x4x13'10 7/8"
18	1	2x4 Cedar Board	2x4x12'6 7/8"
19	1	2x4 Cedar Board	2x4x11'2 7/8"
20	1	2x4 Cedar Board	2x4x9'10 3/4"
21	1	2x4 Cedar Board	2x4x8'6 7/8"
22	1	2x4 Cedar Board	2x4x7'2 7/8"
23	1	2x4 Cedar Board	2x4x5'10 7/8"
24	1	2x4 Cedar Board	2x4x4'6 7/8"
25	1	2x4 Cedar Board	2x4x3'2 7/8"

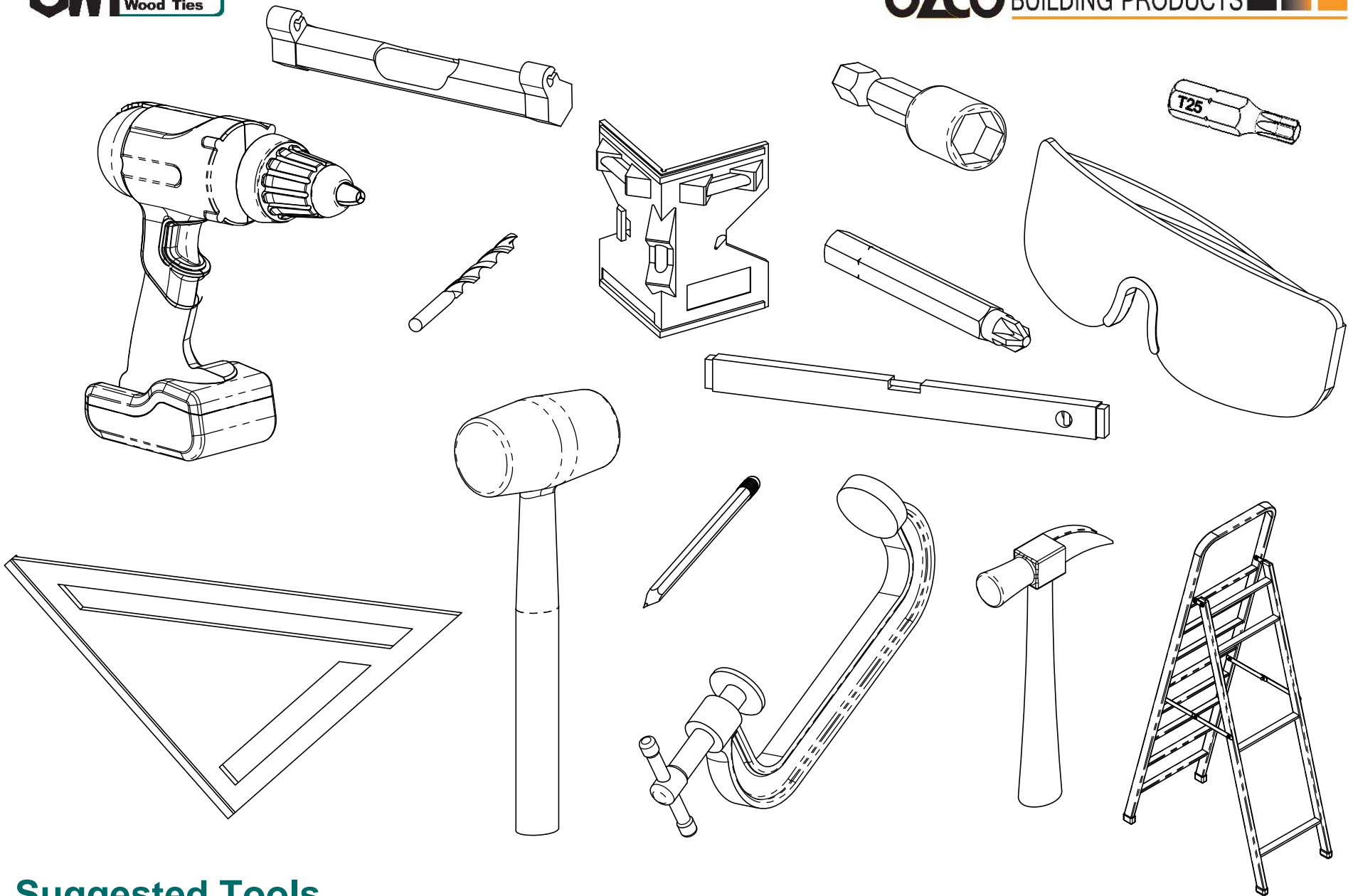
Corner Pergola

OZCO Project #834 IW- Corner Pergola
10x10x16

QTY.	PART NUMBER	DESCRIPTION
3	51717	2" Standard Rafter Clip (RC-IW-2)
3	51710	8" Post to Beam (P2B-IW-8)
4	51768	4" Flush Inside 45 (FI45-IW-4)
3	51708	6x6 Post Base (6x6-PB-IW)
3	6x6x8L	6x6x8
2	2x8x10L	2x8x10
2	2x8x16L	2x8x16
5	2x4x16L	2x4x16
1	2x4x12L	2x4x12
2	2x4x10L	2x4x10
3	2x4x8L	2x4x8
3	2x6x10L	2x6x10
6	2x6x8L	2x6x8

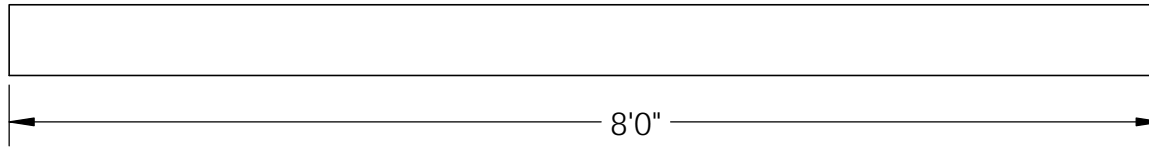
Purchase List



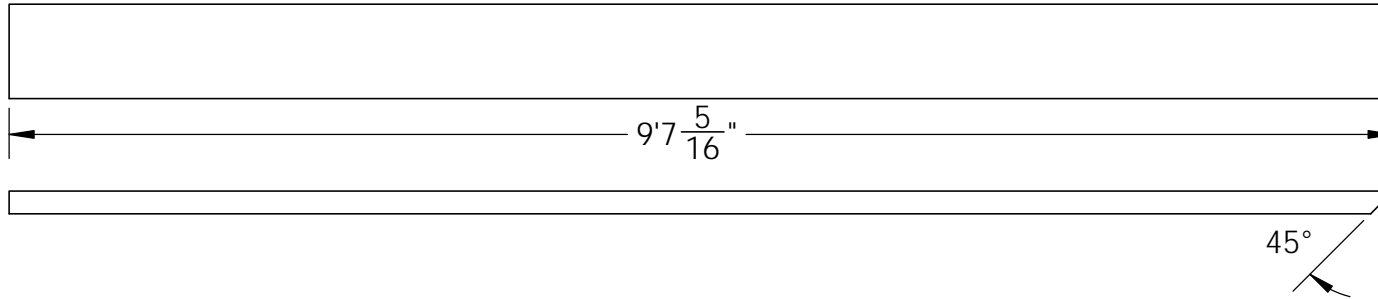


Suggested Tools
(others may be required)

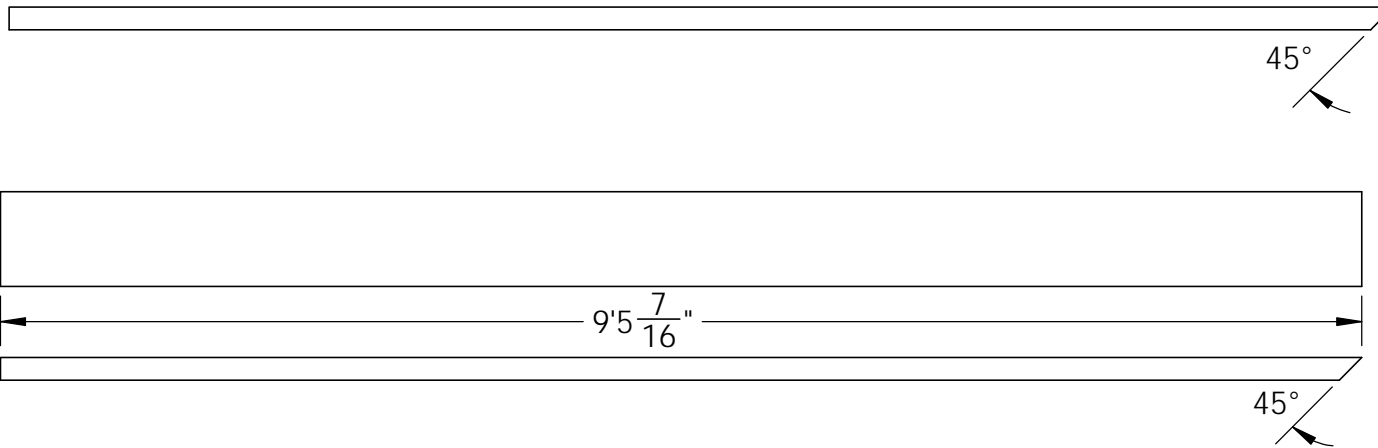
OZCO Project #834 IW- Corner Pergola
10x10x16



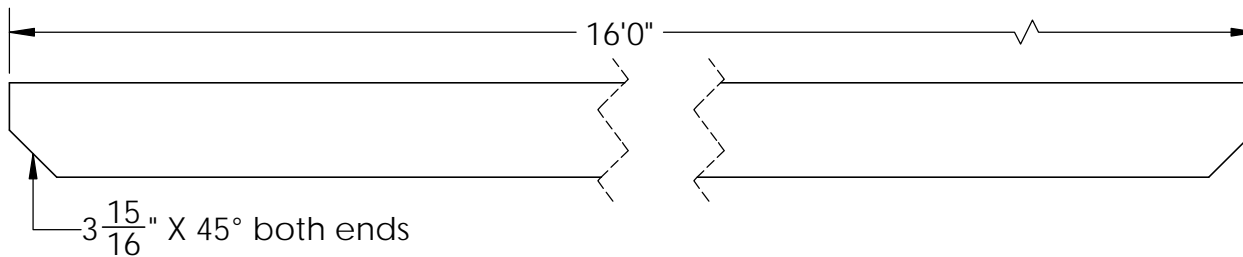
cut from 6x6x8L board qty: 3



cut from 2x8x10L board

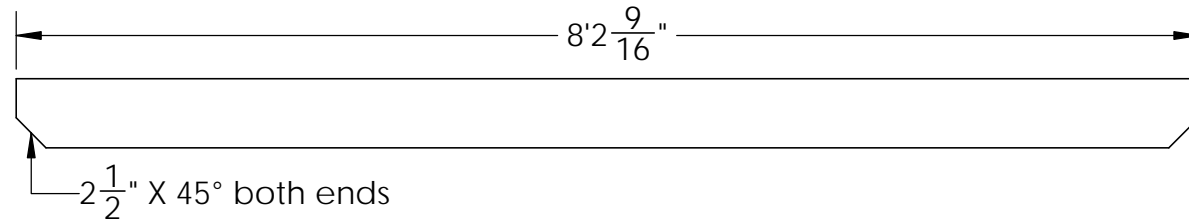


cut from 2x8x10L board

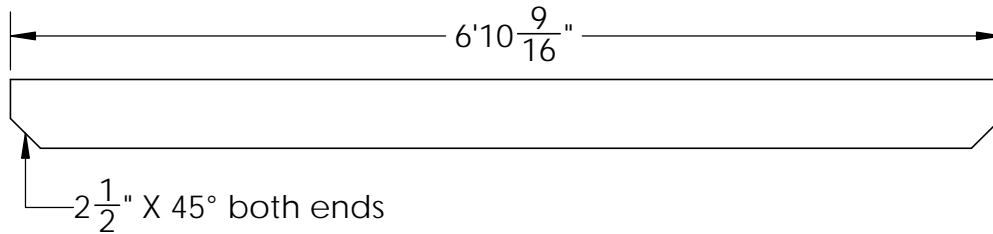


cut from 2x8x16L board qty: 2

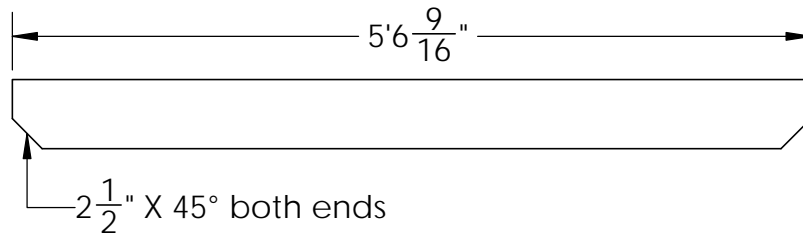
Cutlist



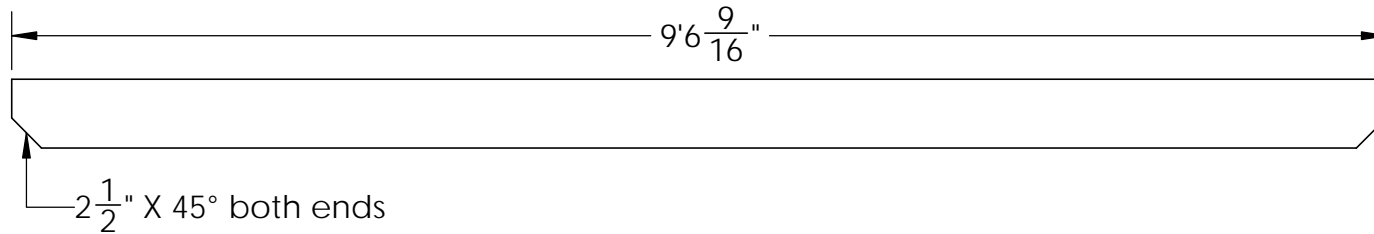
cut from 2x6x10L board qty: 2



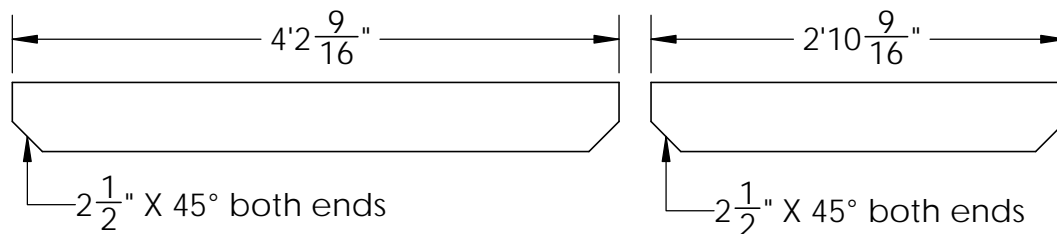
cut from 2x6x8L board qty: 2



cut from 2x6x8L board qty: 2

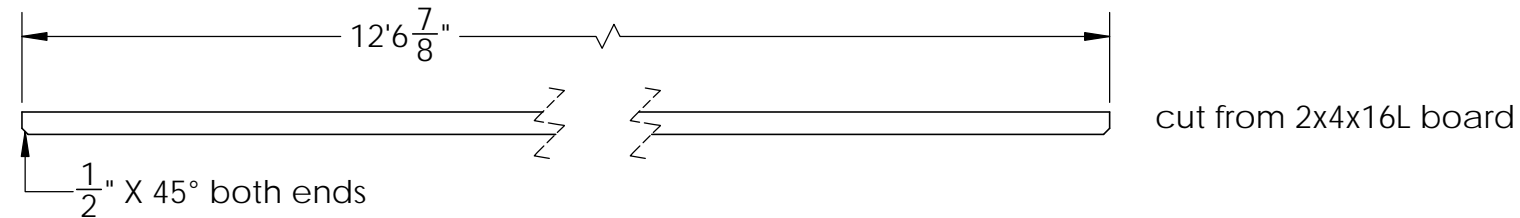
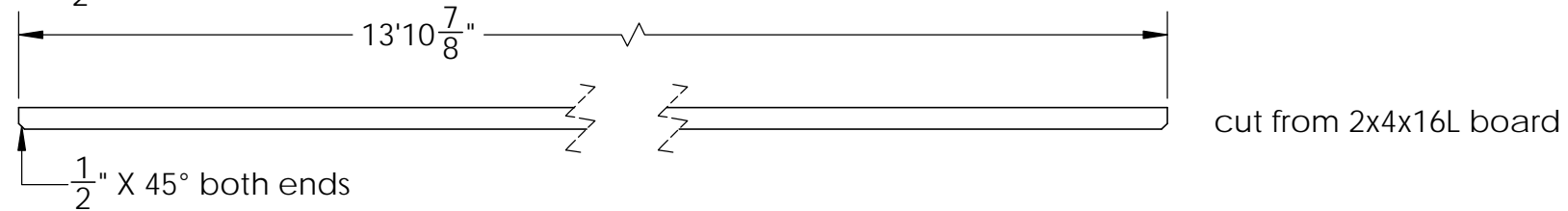
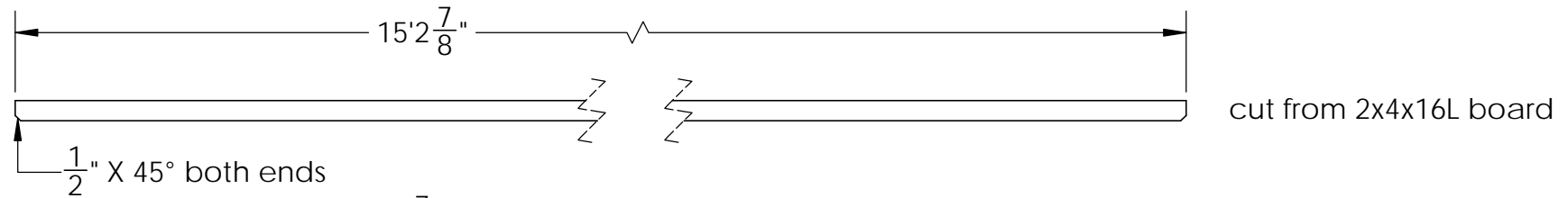
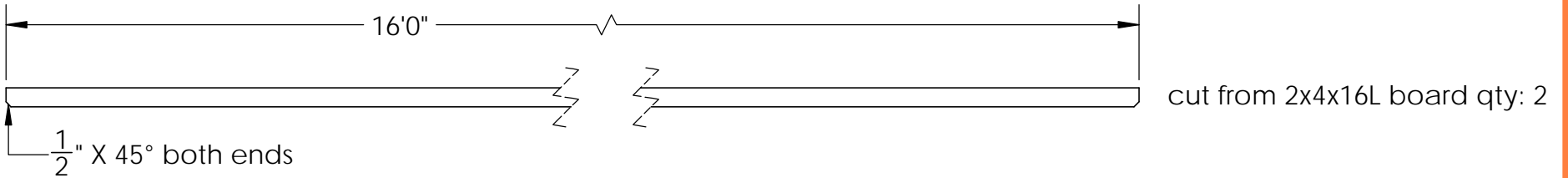
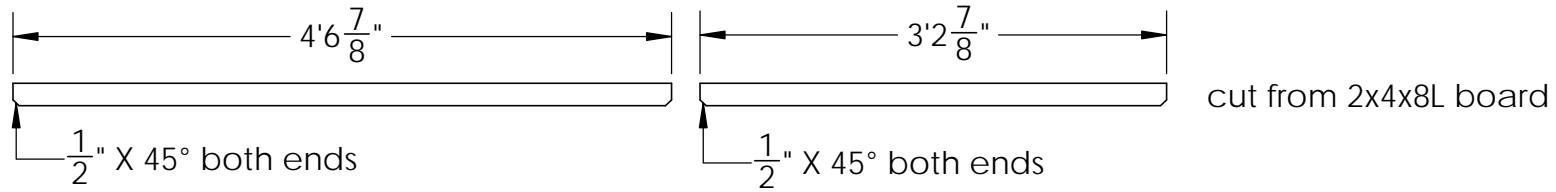


cut from 2x6x10L board

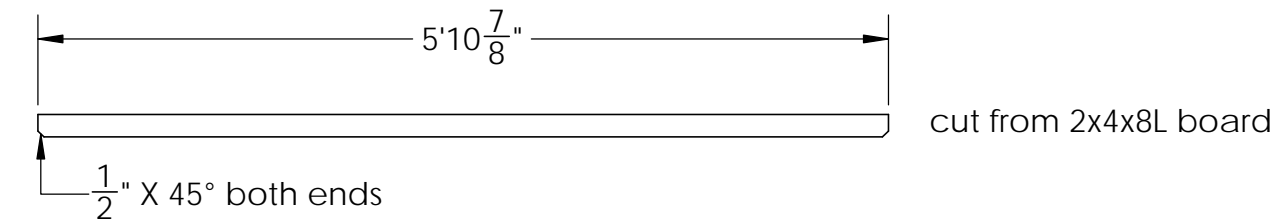
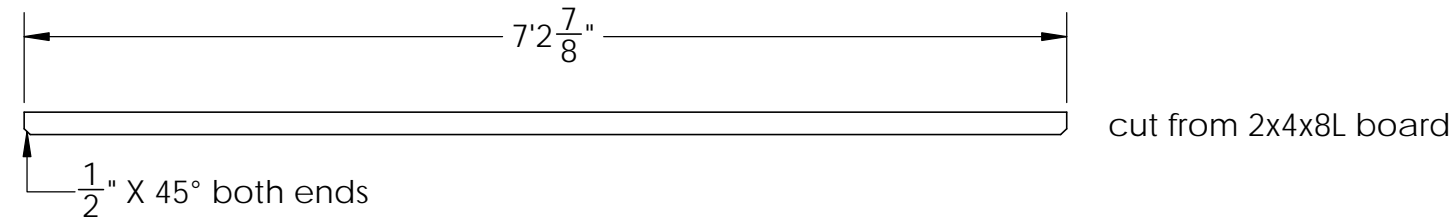
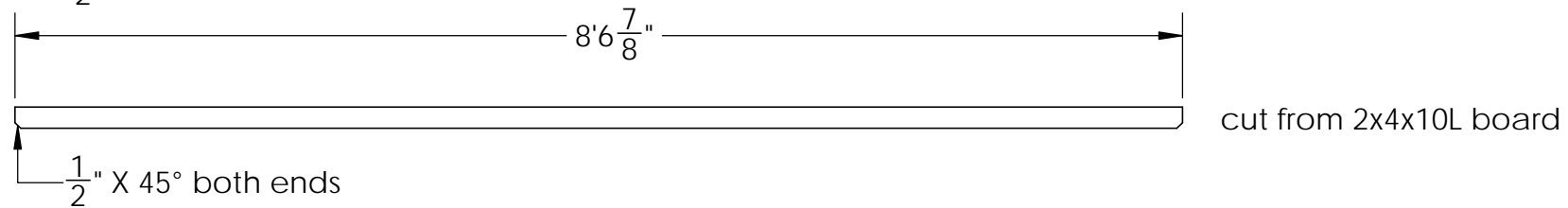
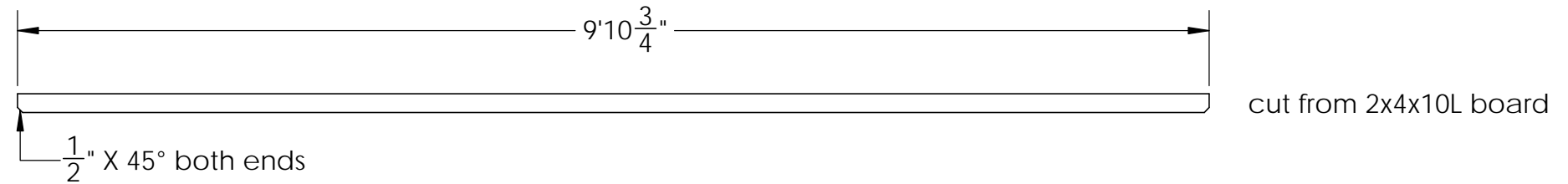
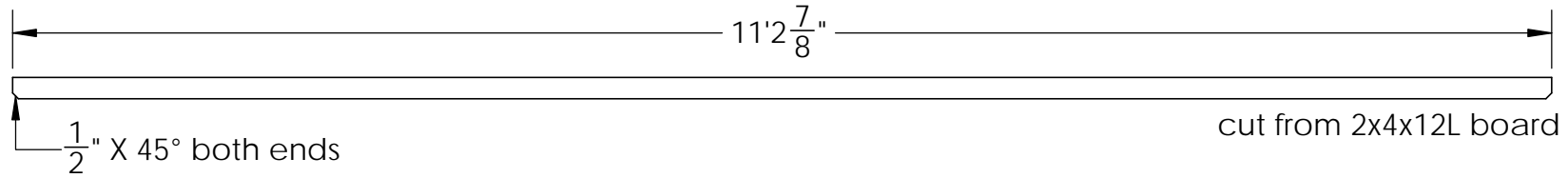


cut from 2x6x8L board qty: 2

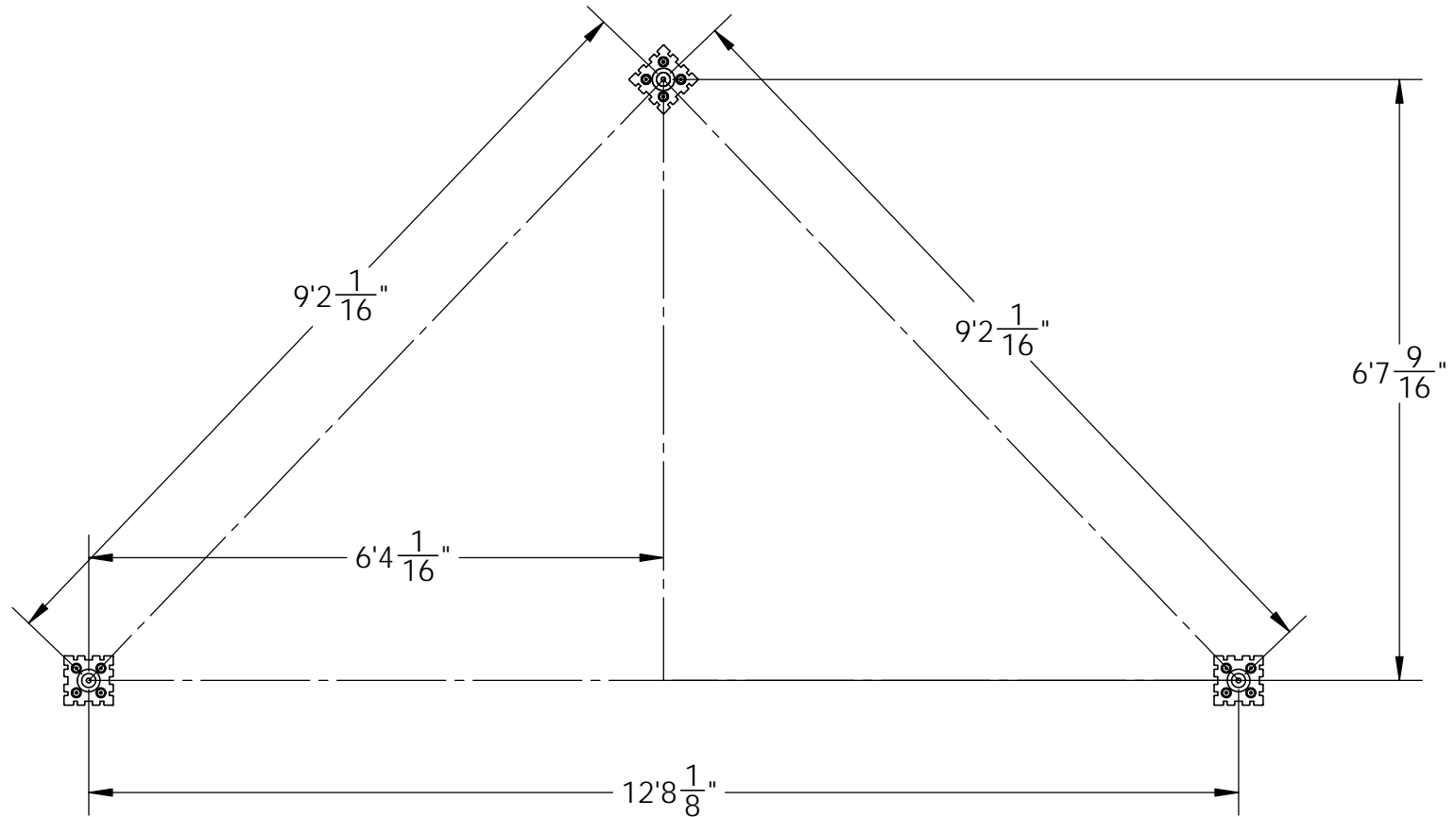
Cutlist



Cutlist

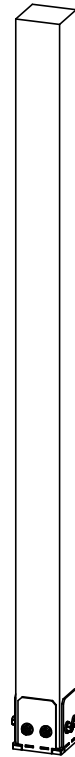
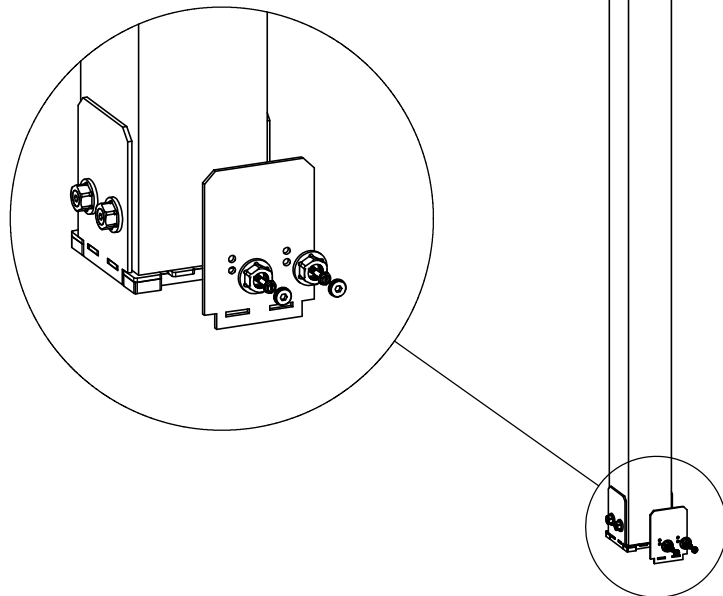
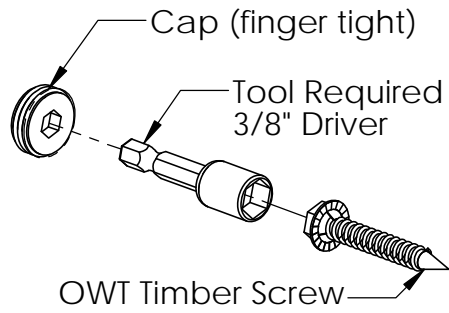


Cutlist



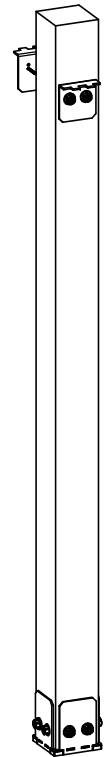
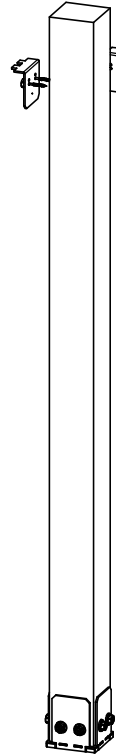
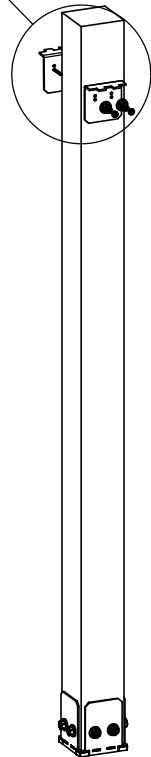
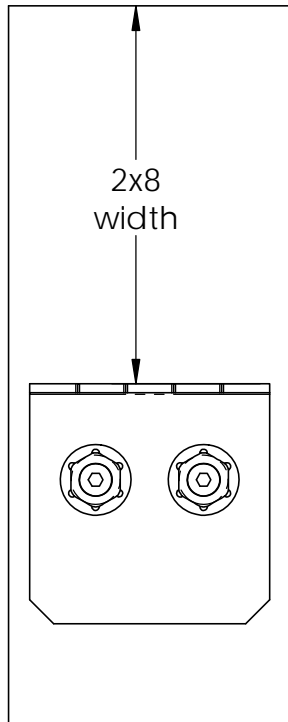
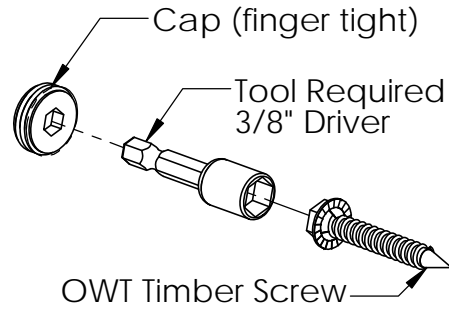
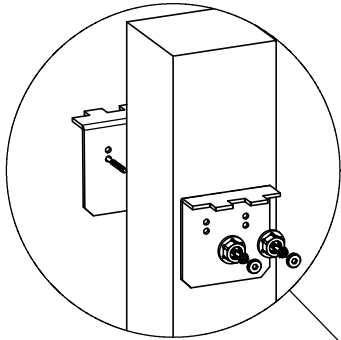
Mount Base to surface (top view shown)
 see post base installation instructions for detailed mounting instructions & fastener selection

step 1



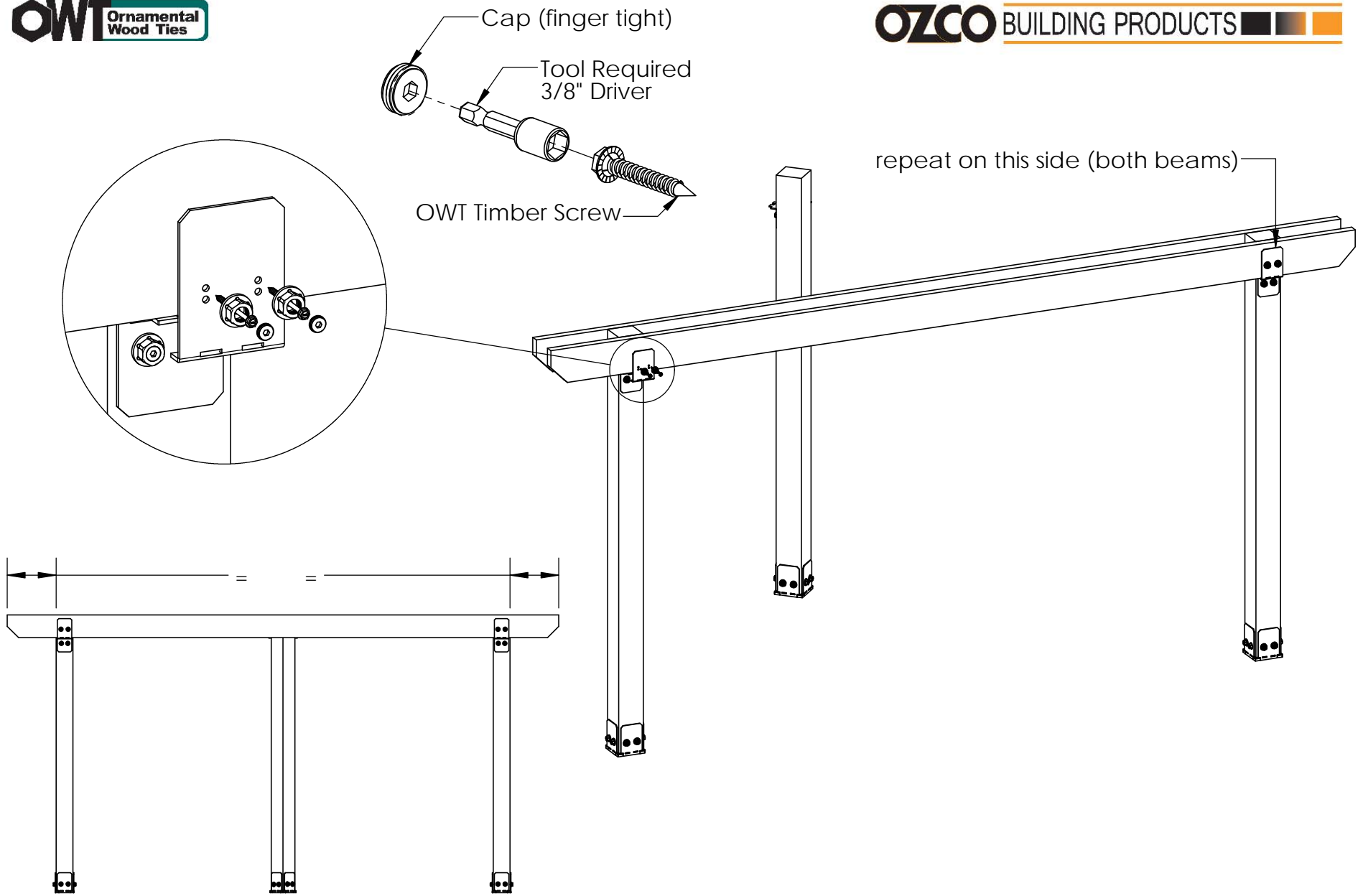
step 2

OZCO Project #834 IW- Corner Pergola
10x10x16



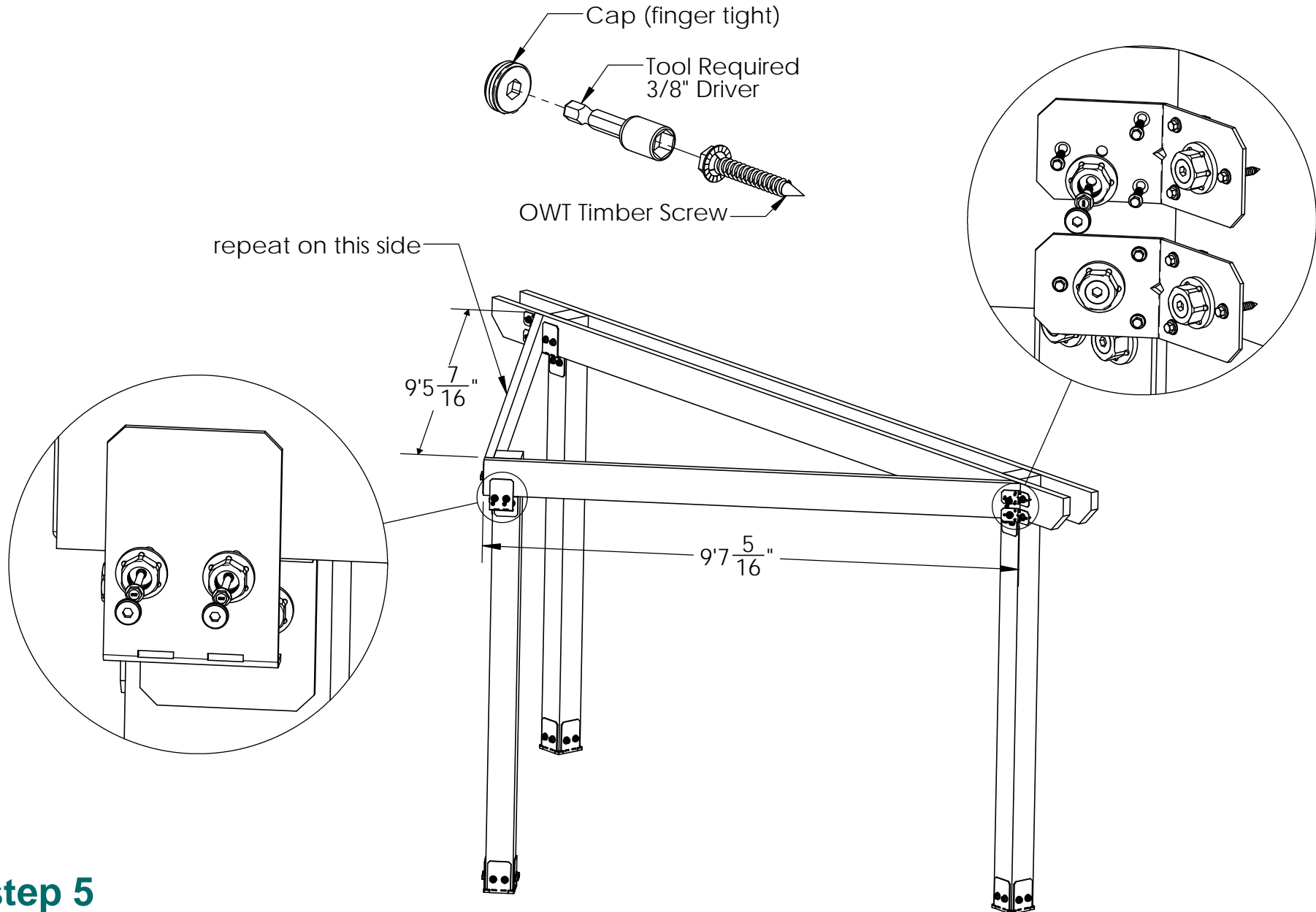
step 3

OZCO Project #834 IW- Corner Pergola
10x10x16



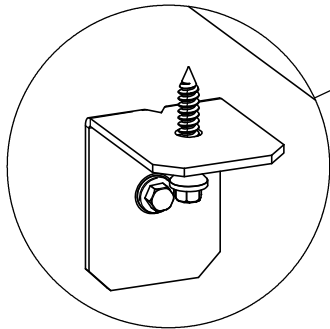
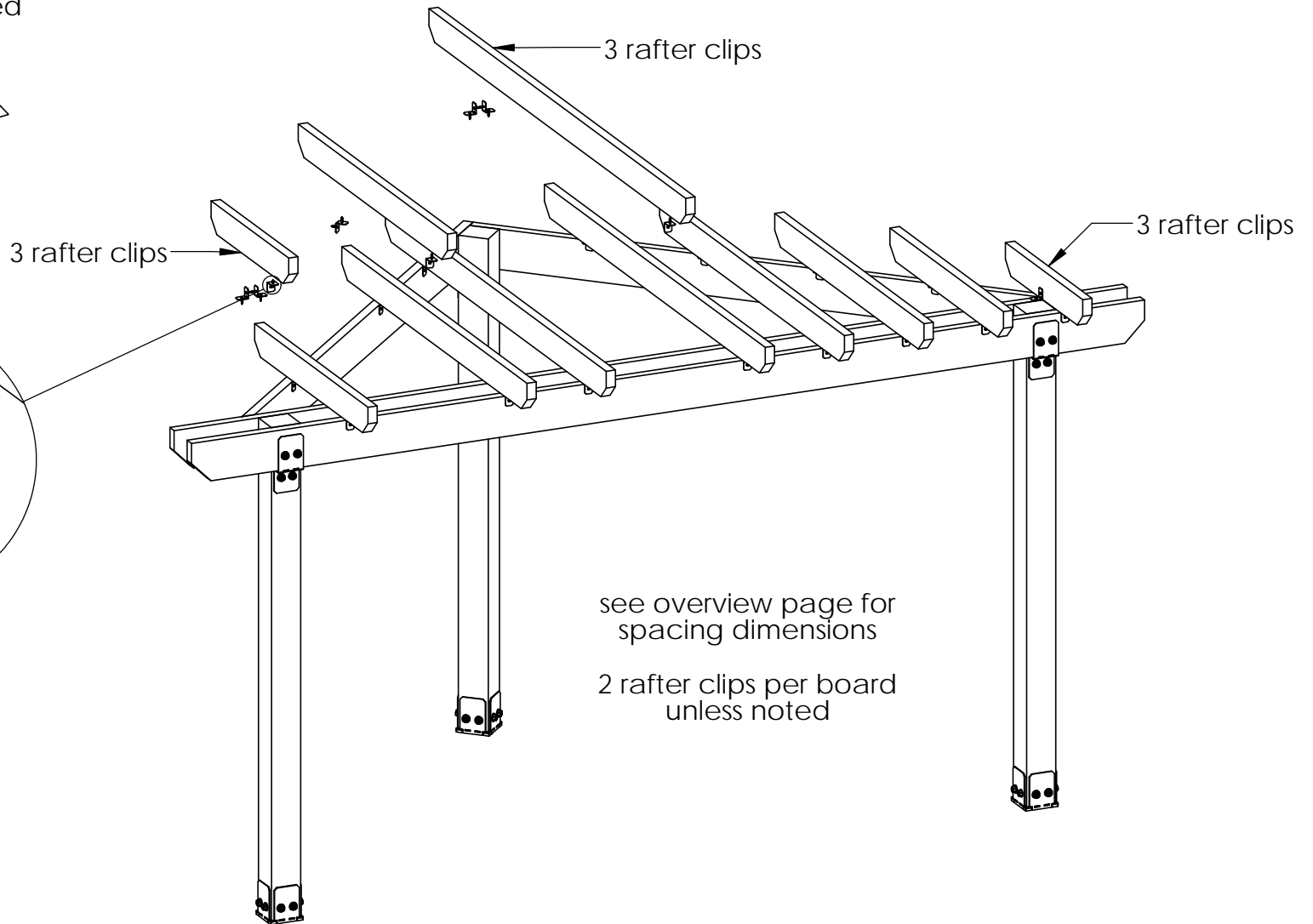
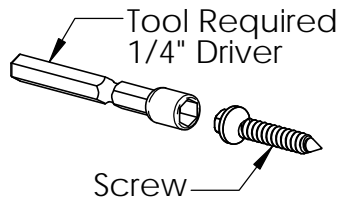
step 4

OZCO Project #834 IW- Corner Pergola
10x10x16



step 5

OZCO Project #834 IW- Corner Pergola
10x10x16



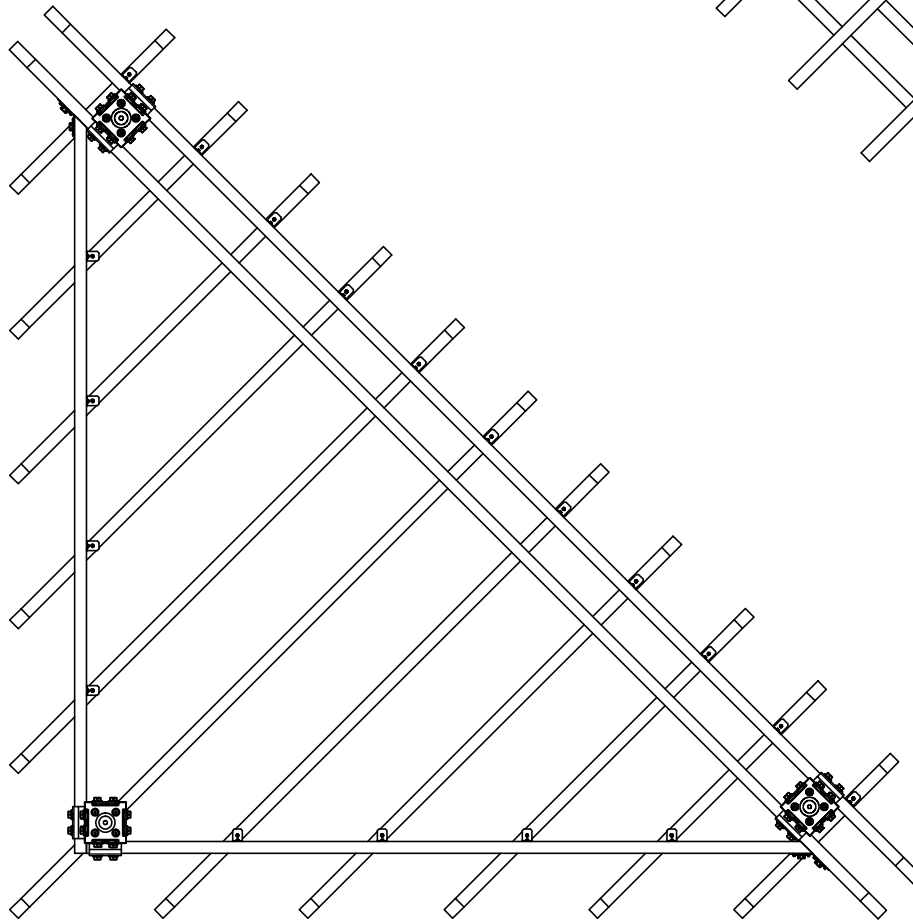
see overview page for
spacing dimensions

2 rafter clips per board
unless noted

see next page for detailed rafter clip locations

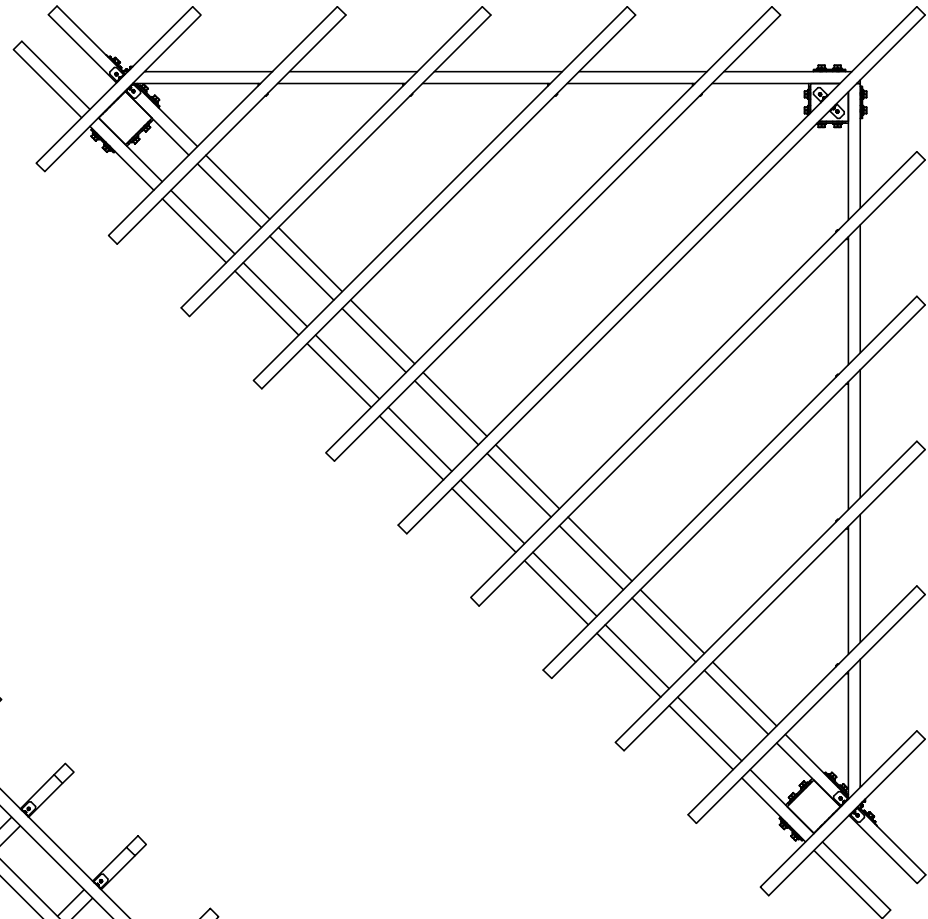
step 6

note rafter clip locations



bottom view

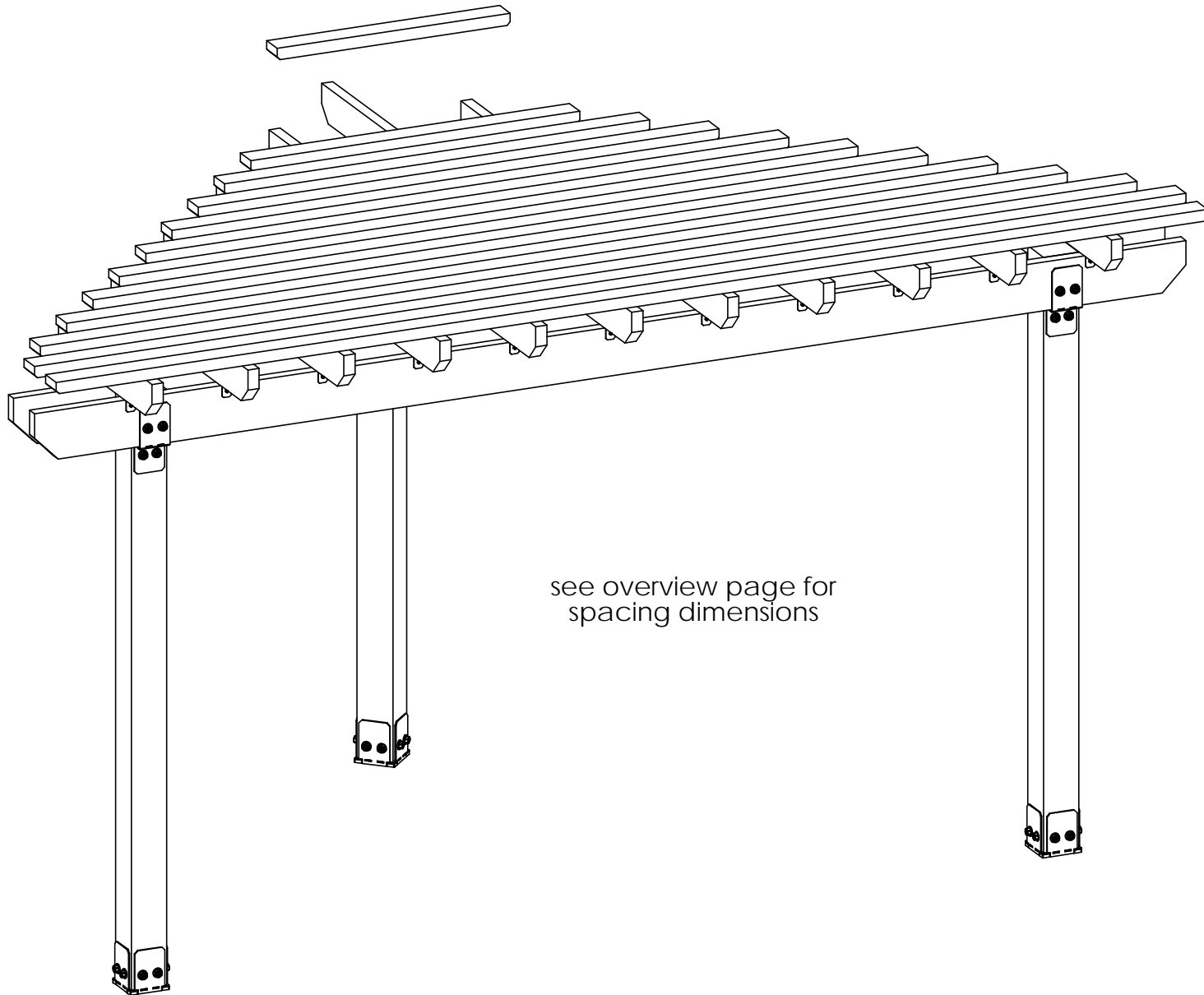
top view



step 6 (continue)

OZCO Project #834 IW- Corner Pergola
10x10x16

secure with nails or screws



see overview page for
spacing dimensions

step 7

OZCO Project #834 IW- Corner Pergola
10x10x16