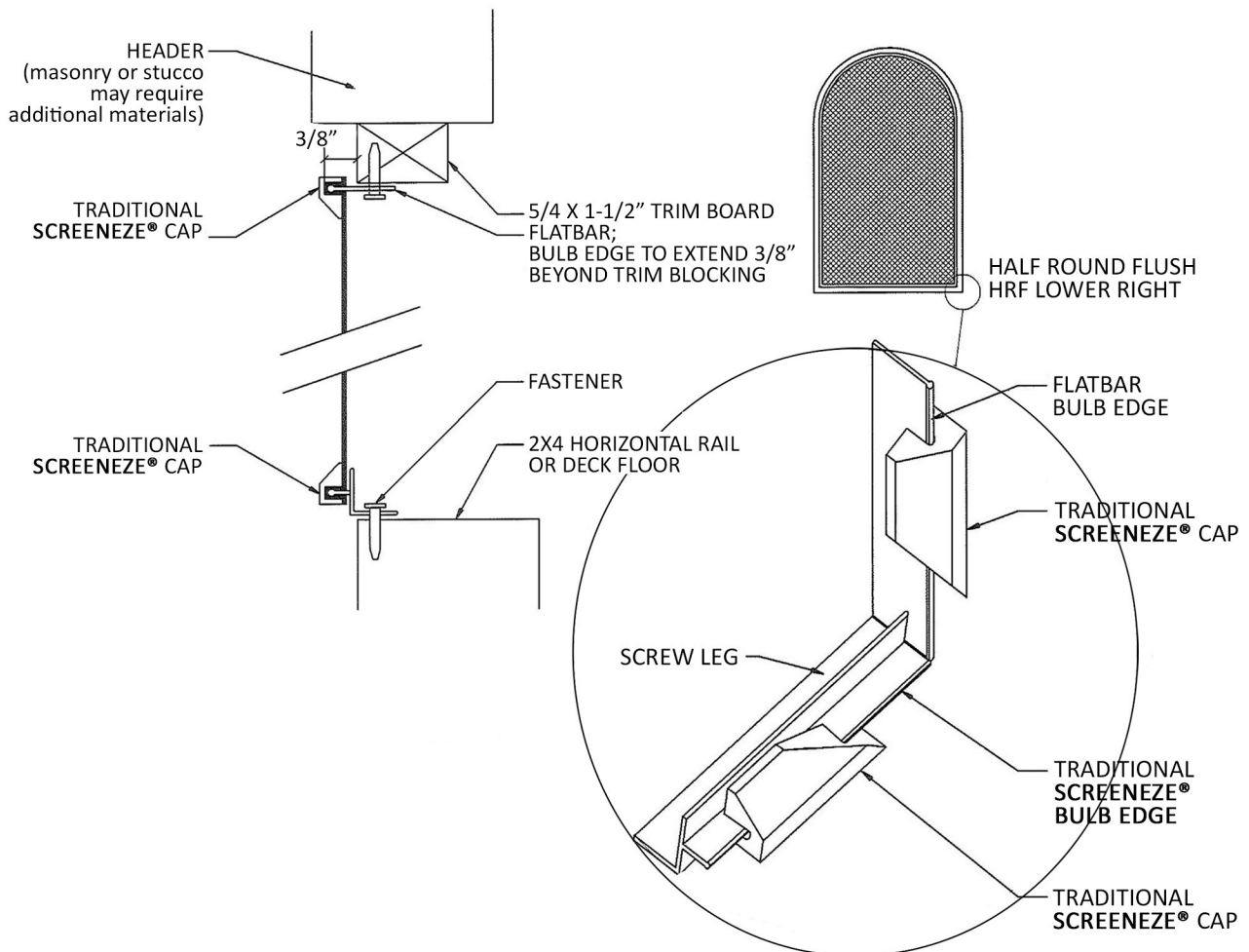


ARCH SYSTEM INSTRUCTIONS

FLATBAR HALF ROUND EXTERIOR FLUSH MOUNT

- Fully understand the installation of the Traditional **SCREENEZE®** application
- FLATBAR installed flush on half round & vertical sides with additional framework
- Traditional **SCREENEZE®** installed flush with no additional framework on bottom
- Or FLATBAR installed on bottom with additional framework/trim board
- Bulb edge of FLATBAR must align with Traditional **SCREENEZE®** at corners (see detail)



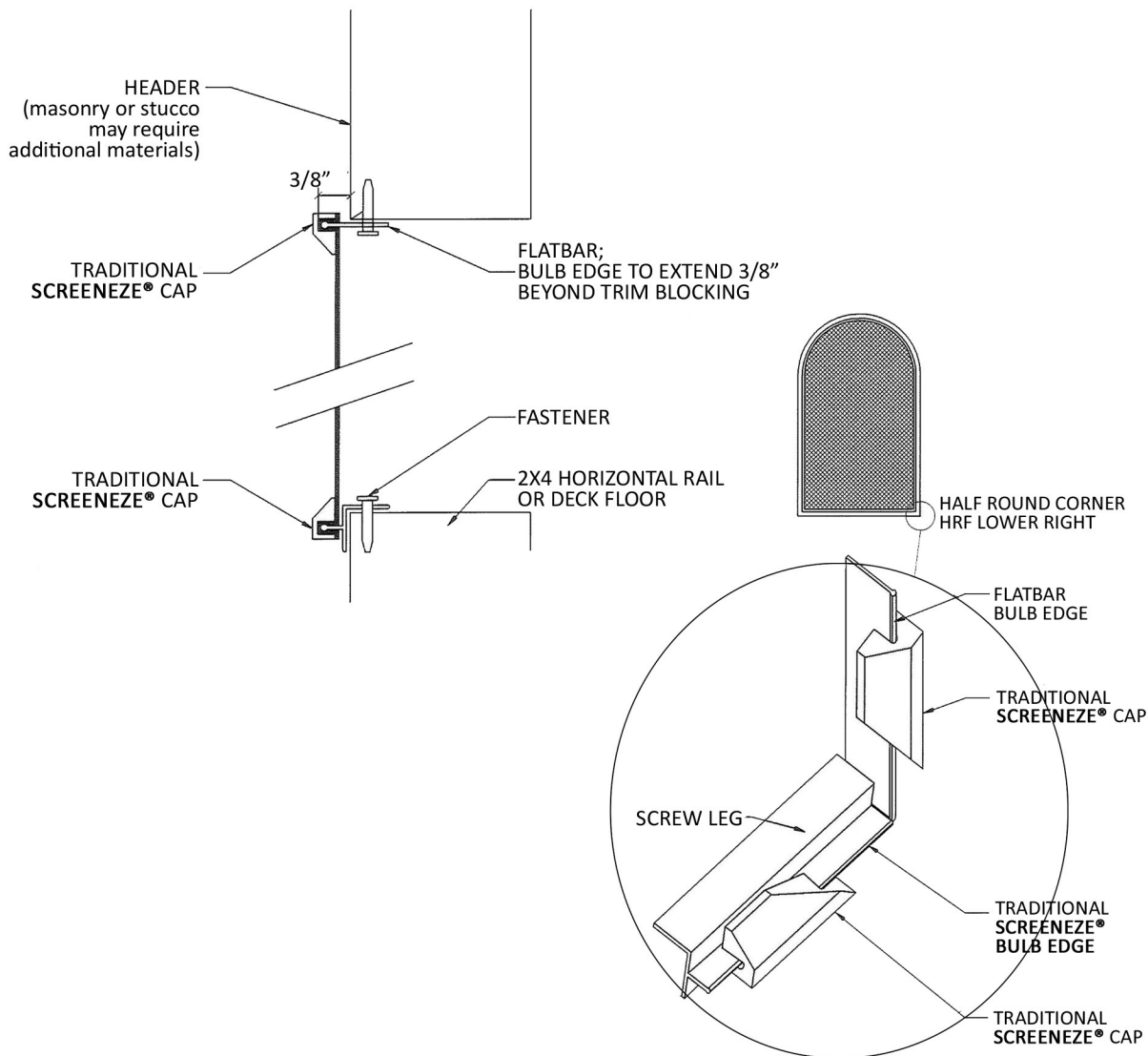
NOTES

- Section above shown as exterior detail; however same concept can be applied to interior
- When installing an arched panel, follow the same instructions as Traditional **SCREENEZE®**, however, put the bottom on first, then top, then sides/verticals.

ARCH SYSTEM INSTRUCTIONS

FLATBAR HALF ROUND EXTERIOR CORNER MOUNT

- Fully understand the installation of the Traditional **SCREENEZE®** application
- **FLATBAR** installed on half round & vertical sides
- Traditional **SCREENEZE®** or **FLATBAR** installed on bottom
- Bulb edge of **FLATBAR** must align with Traditional **SCREENEZE®** at corners (see detail)



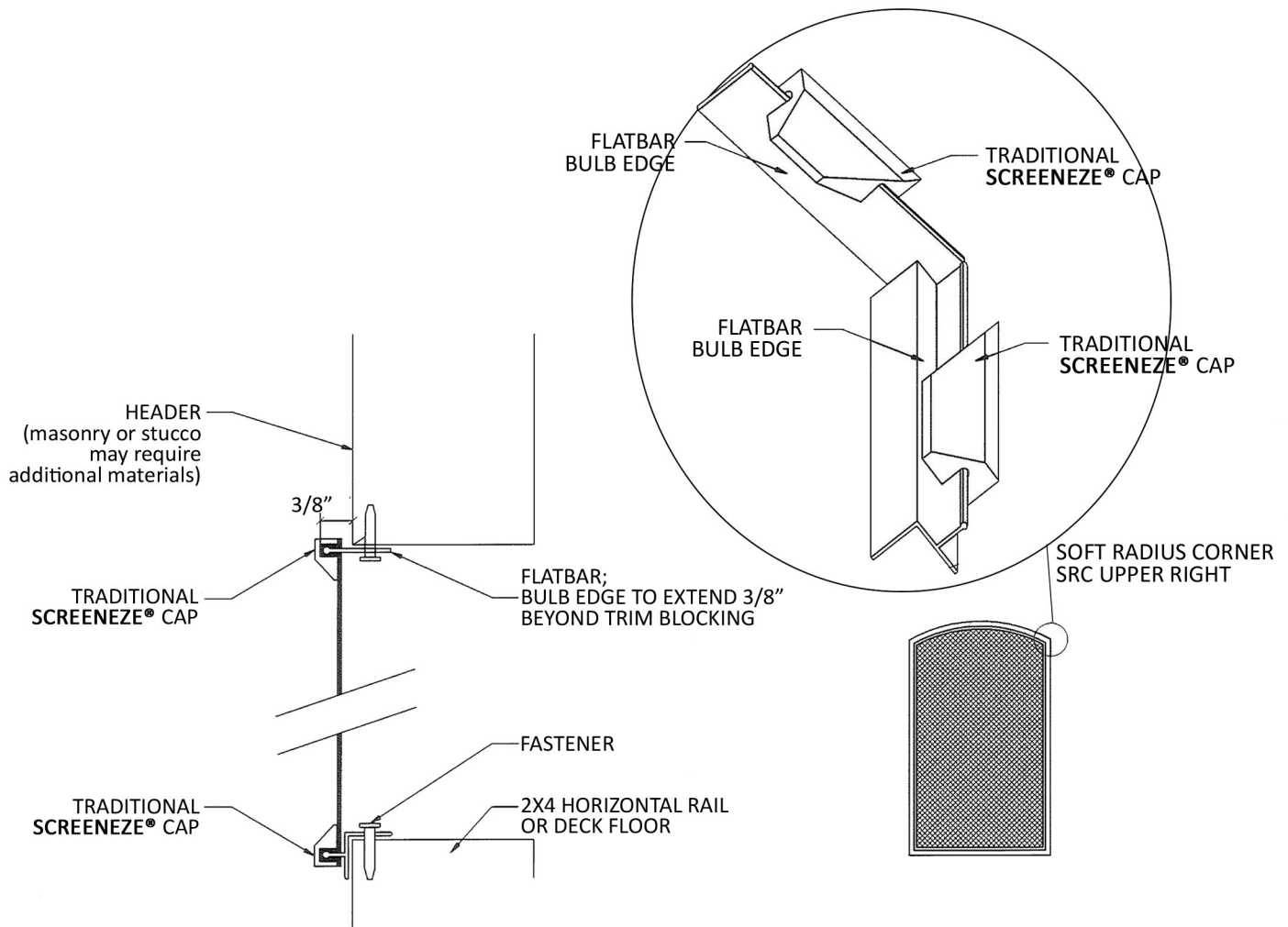
NOTES

- Section above shown as exterior detail; however same concept can be applied to interior
- When installing an arched panel, follow the same instructions as Traditional **SCREENEZE®**, however, put the bottom on first, then top, then sides/verticals.

ARCH SYSTEM INSTRUCTIONS

FLATBAR SOFT RADIUS EXTERIOR CORNER MOUNT

- Fully understand the installation of the Traditional **SCREENEZE®** application
- **FLATBAR** installed on radius
- Traditional **SCREENEZE®** installed on bottom and vertical sides
- Bulb edge of **FLATBAR** must align with Traditional **SCREENEZE®** at corners (see detail)



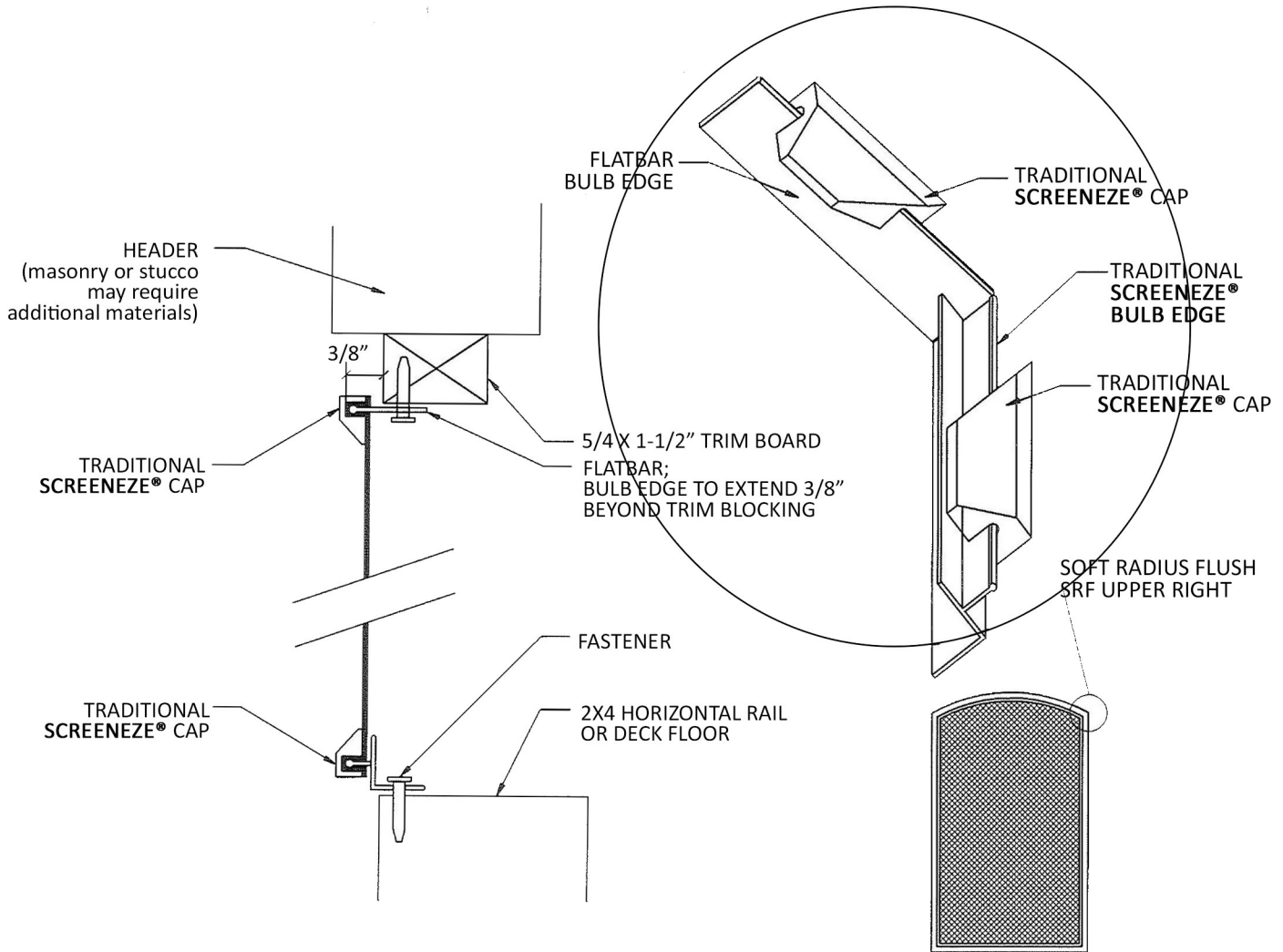
NOTES

- Section above shown as exterior detail; however same concept can be applied to interior
- When installing an arched panel, follow the same instructions as Traditional **SCREENEZE®**, however, put the bottom on first, then top, then sides/verticals.
- Traditional **SCREENEZE®** installed corner mount on verticals & bottom
- Flatbar must align with Traditional **SCREENEZE®** at corners (see detail above)

ARCH SYSTEM INSTRUCTIONS

FLATBAR SOFT RADIUS EXTERIOR FLUSH MOUNT

- Fully understand the installation of the Traditional **SCREENEZE®** application
- **FLATBAR** installed flush on soft radius top with additional framework
- Traditional **SCREENEZE®** installed flush on verticals and bottom
- Bulb edge of **FLATBAR** must align with Traditional **SCREENEZE®** at corners (see detail)



NOTES

- Section above shown as exterior detail; however same concept can be applied to interior
- When installing an arched panel, follow the same instructions as Traditional **SCREENEZE®**, however, put the bottom on first, then top, then sides/verticals.