

DESIGN

PURCHASE

CONSTRUCT

ENJOY

OZCO Project #282 - Pergola 8x8 with 4x4 Posts



OZCO BUILDING PRODUCTS ■ ■ ■ ■

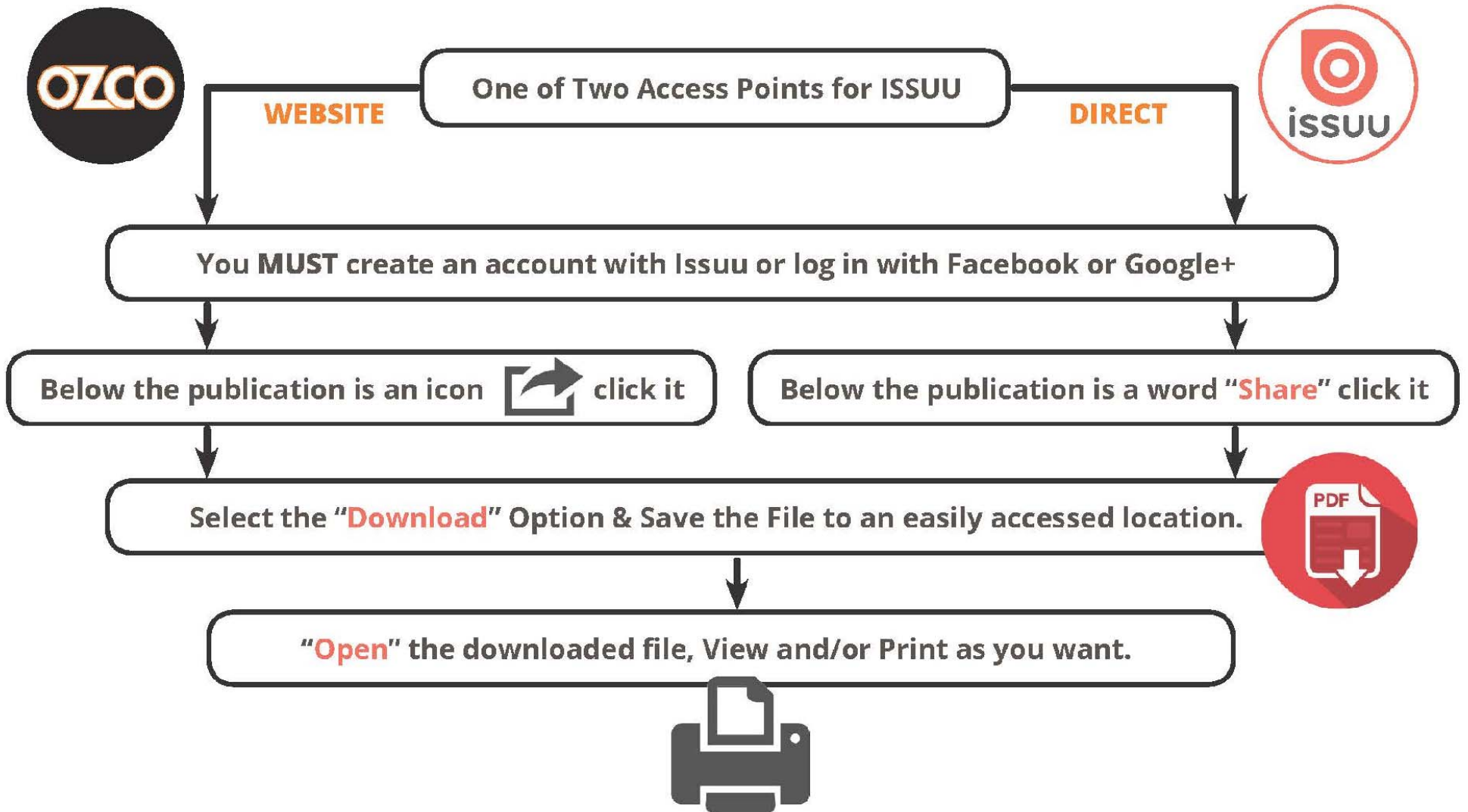
Menards Overview

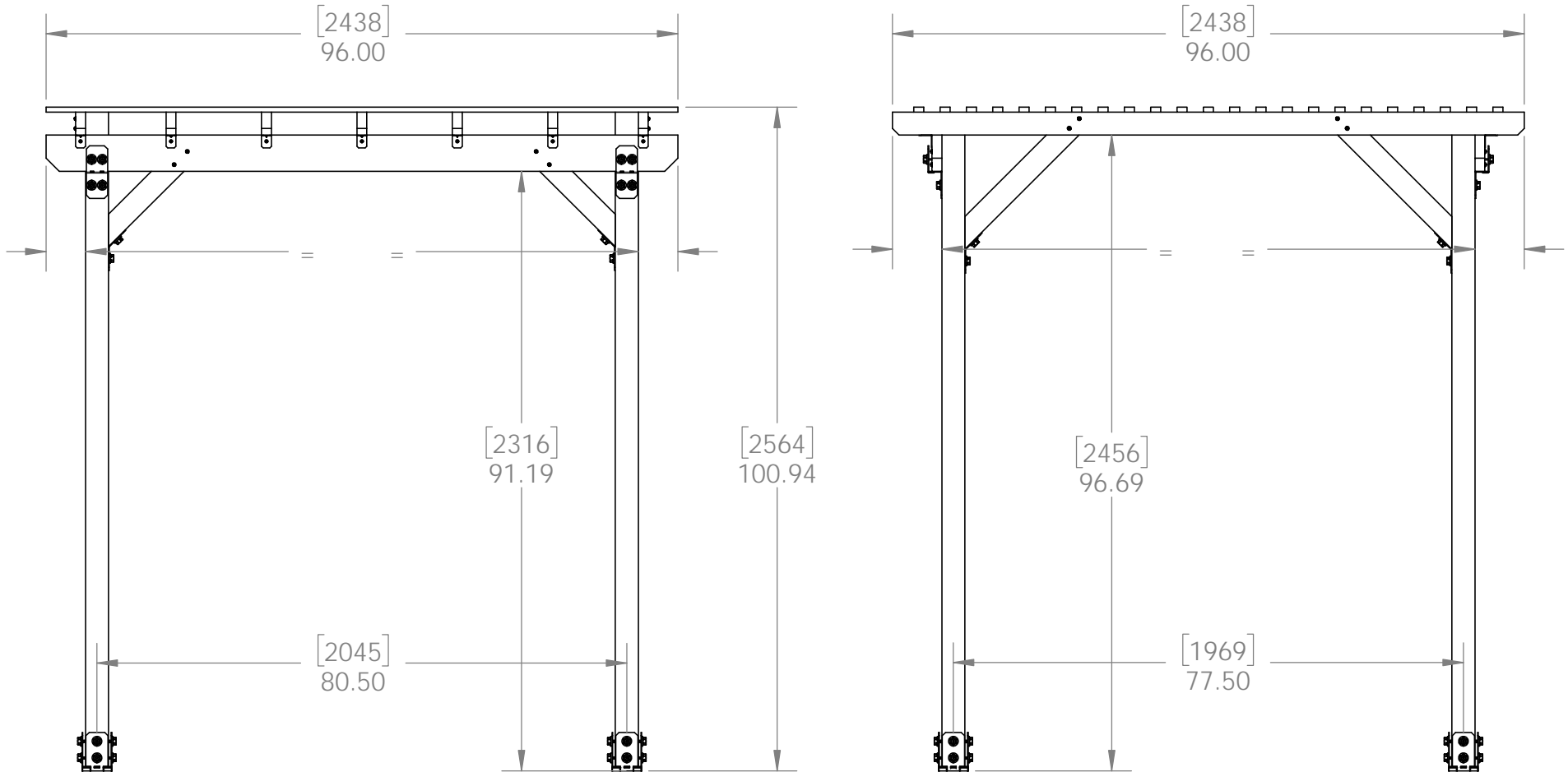
V2.00 - Installation Instructions, Specifications and Project Plans are effective 3/30/2016 . This information is updated periodically and should not be relied upon after 2 years from 3/30/2016 . Please visit OZCOBP.com to get current information.



Printing Documents from ISSUU

Unfortunately, there is currently no way to print content directly through issuu. To print a publication, you will need to download it and print it from your computer.





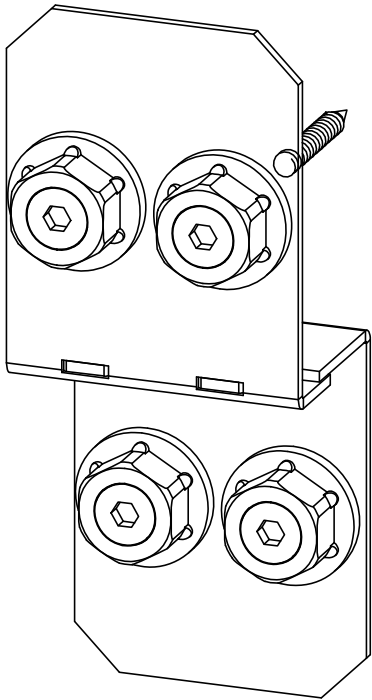
OZCO Project #282 - Pergola 8x8 with 4x4 Posts

Menards Overview

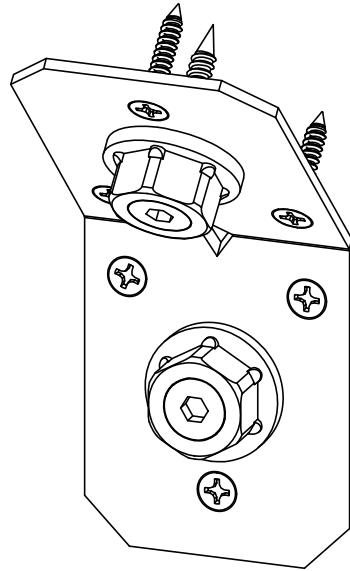
V2.00 - Installation Instructions, Specifications and Project Plans are effective 3/30/2016. This information is updated periodically and should not be relied upon after 2 years from 3/30/2016. Please visit OZCOBP.com to get current information.

QTY.	PART NUMBER	DESCRIPTION
4	51707	4x4 Post Base (4x4-PB-IW)
2	51775	4" Post to Beam (P2B-IW-4)
2	51768	4" Flush Inside 45 (FI45-IW-4)
1	56627	OWT Timber Screw 3-3/4"
2	51717	2" Standard Rafter Clip (RC-IW-2)
5	4x4x8L	4x4x8
2	2x6x8L	2x6x8
7	2x4x8L	2x4x8
4	4x4x10L	4x4x10
23	1x2x8L	1x2x8

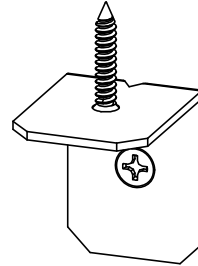
Material List



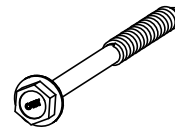
51775



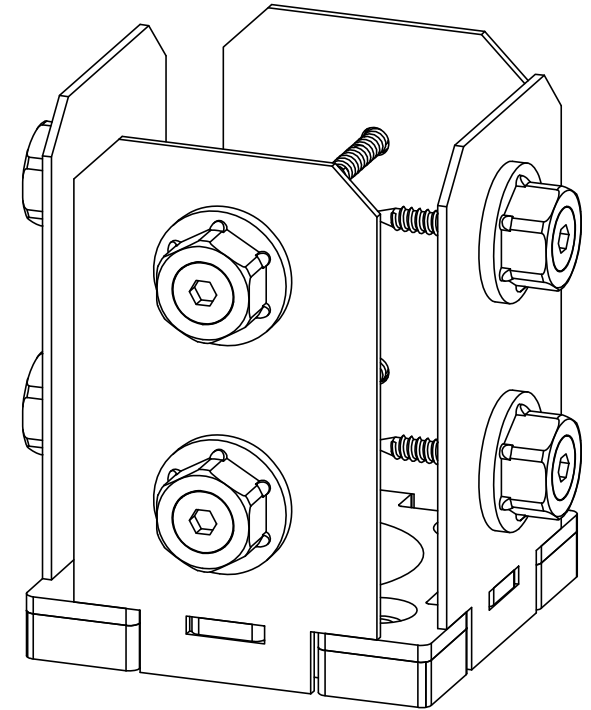
51768



51717



56627



51707



Laredo Sunset & Ironwood

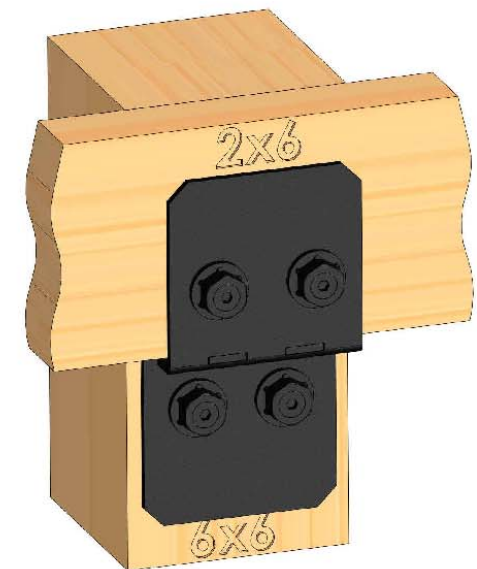


Laredo Sunset
(566XX series)

2 great styles
Same functionality

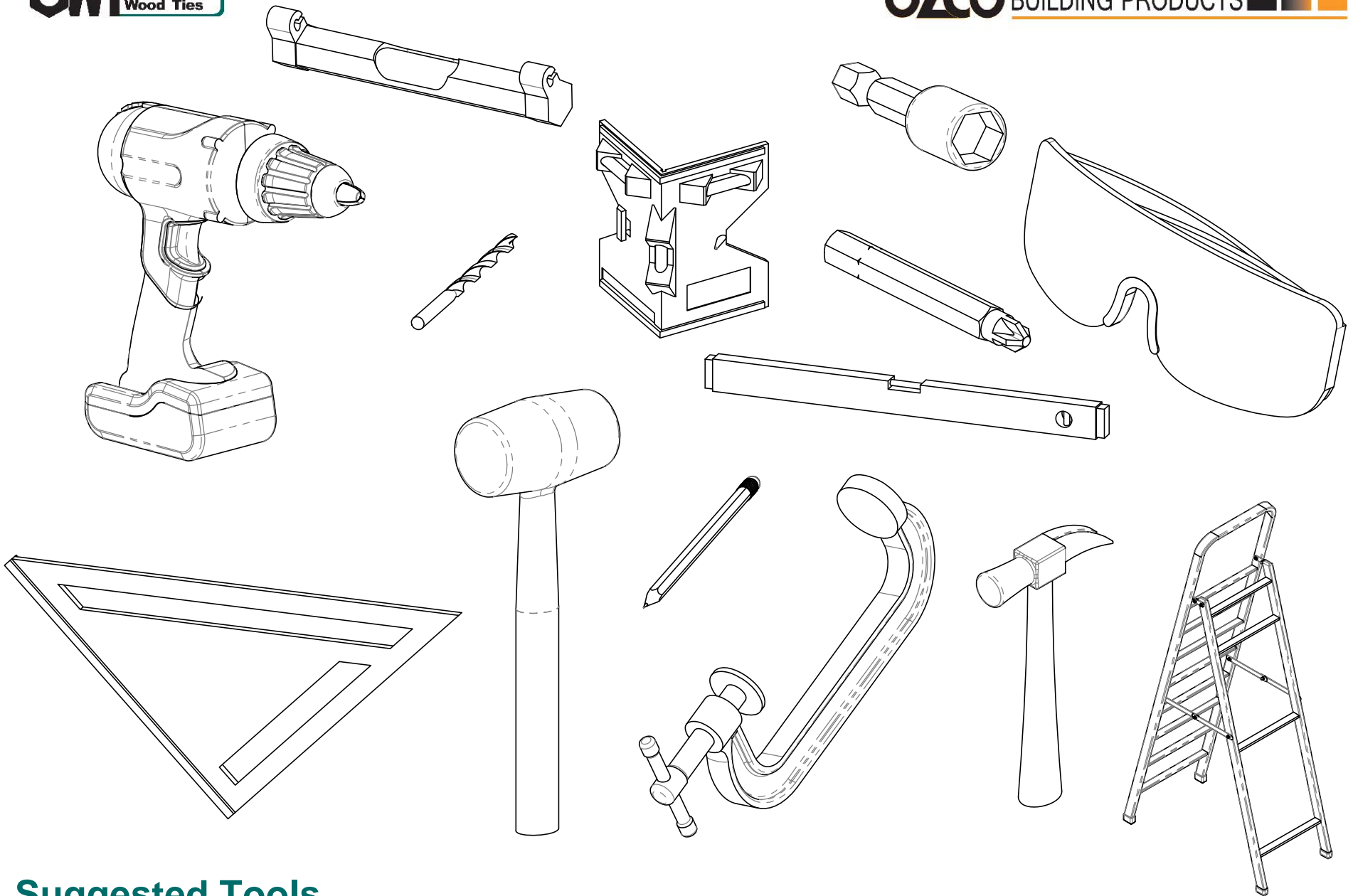
choose your
connection lifestyle

both styles available for
most products



Ironwood
(517XX series)

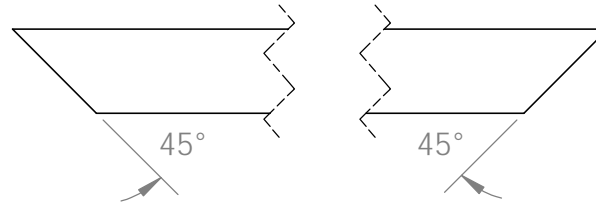




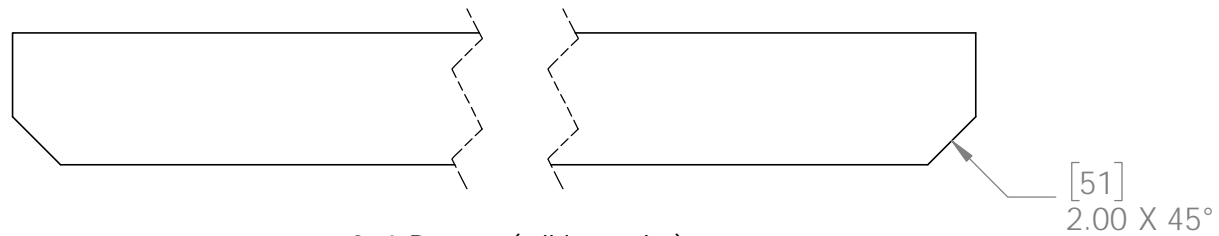
Suggested Tools

(others may be required)

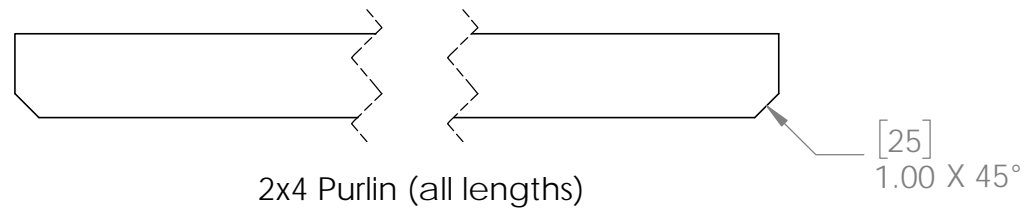
Menards Overview



4x4 Support (all lengths)



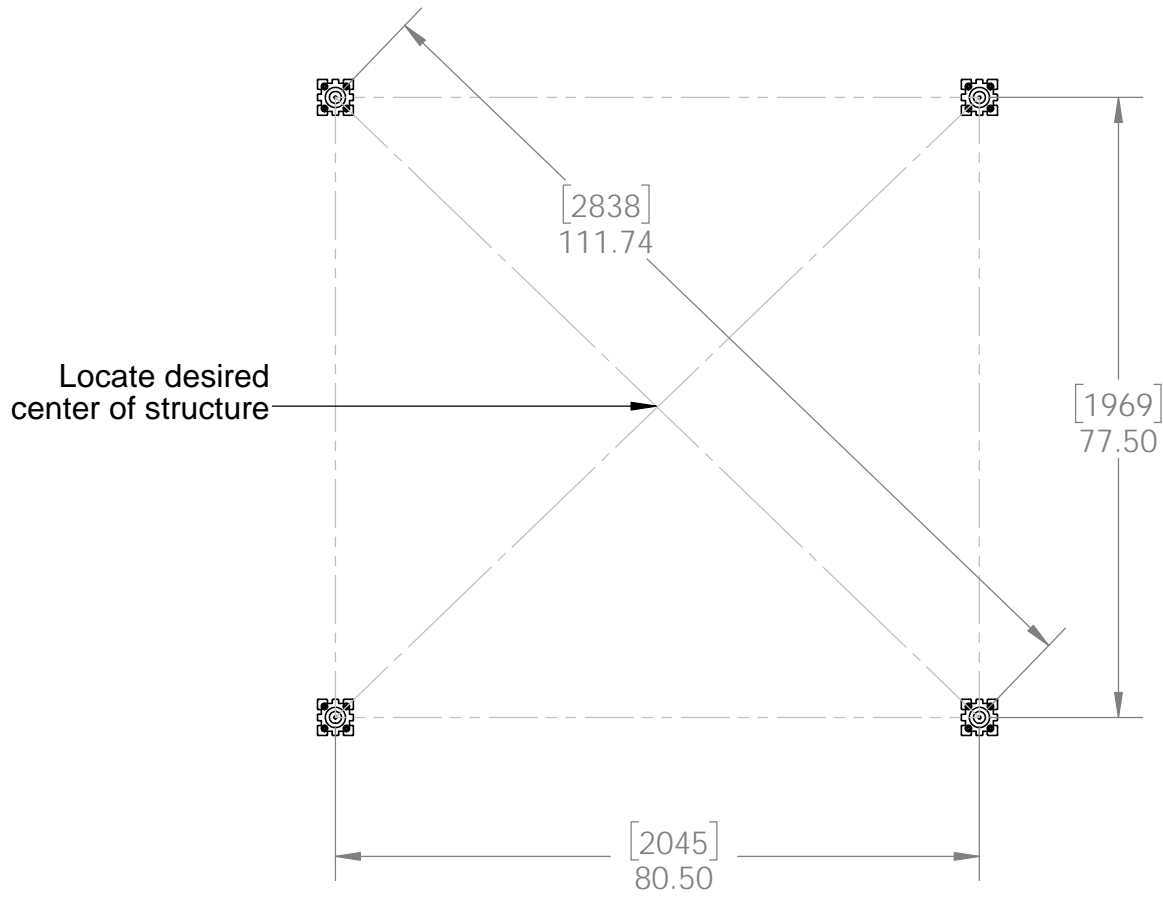
2x6 Beam (all lengths)



2x4 Purlin (all lengths)

Cutlist

Menards Pergola Cutlist

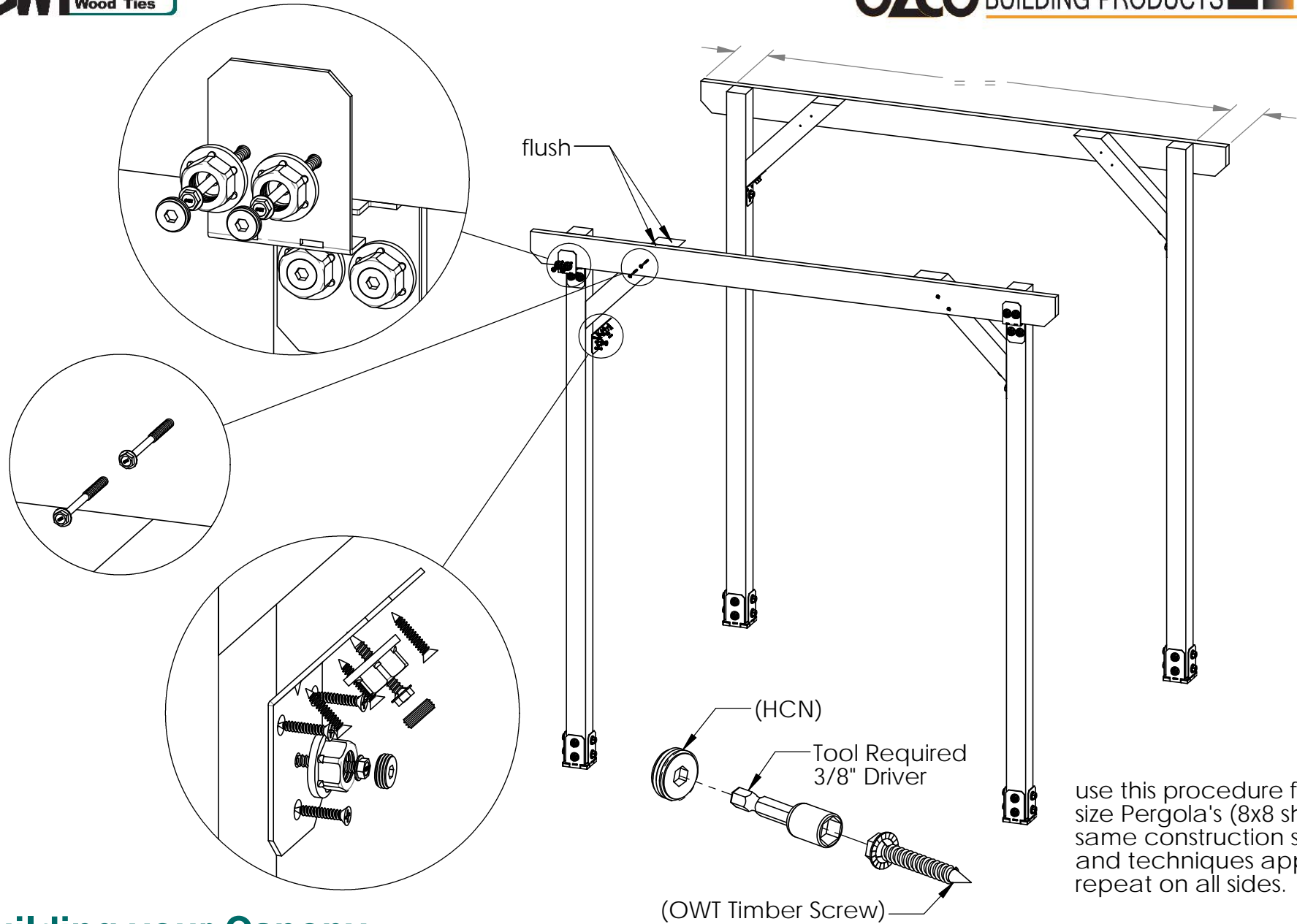


if site is not level,
see Ozco Site
Leveling
instruction



8x8 site

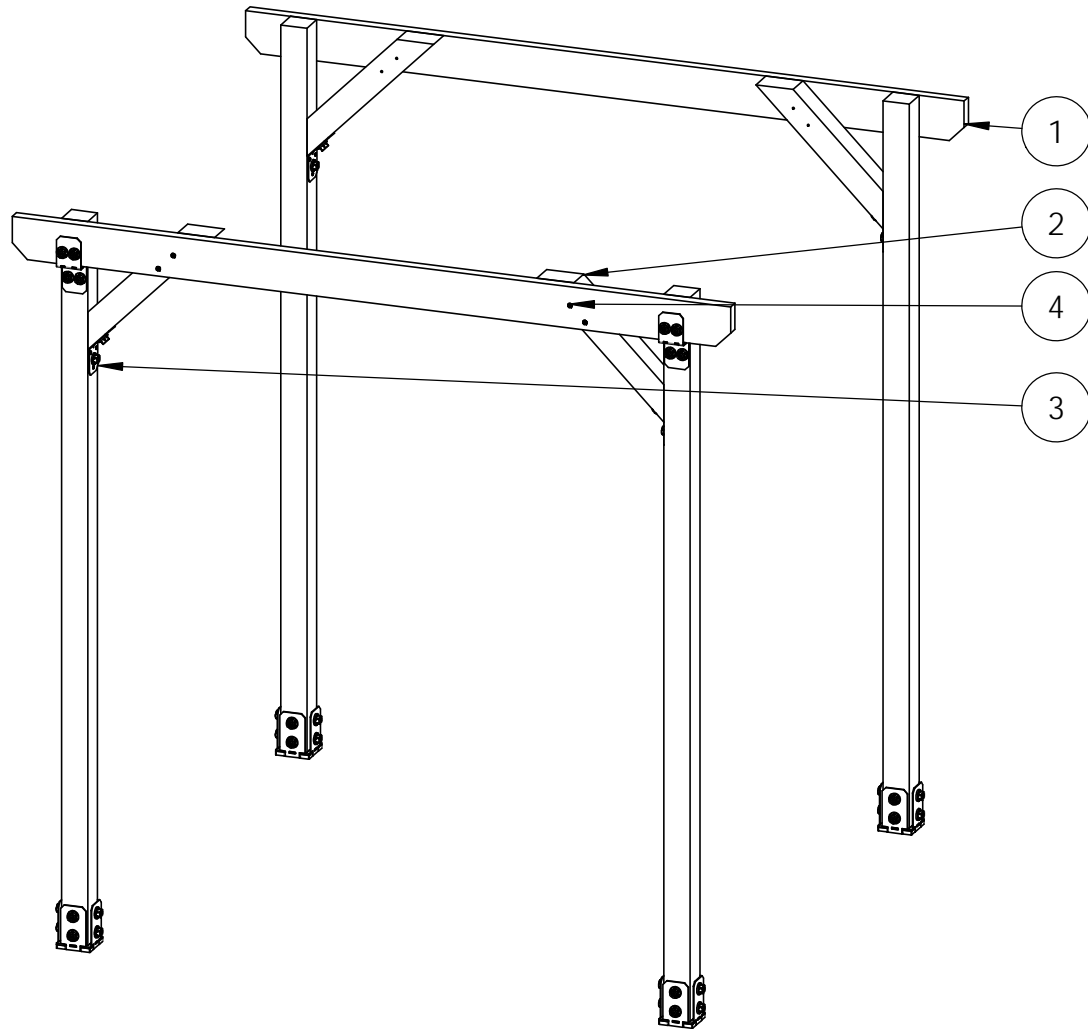
Menards Site Plan



use this procedure for all size Pergola's (8x8 shown). same construction steps and techniques apply. repeat on all sides.

Building your Canopy

Menards Pergola Beams

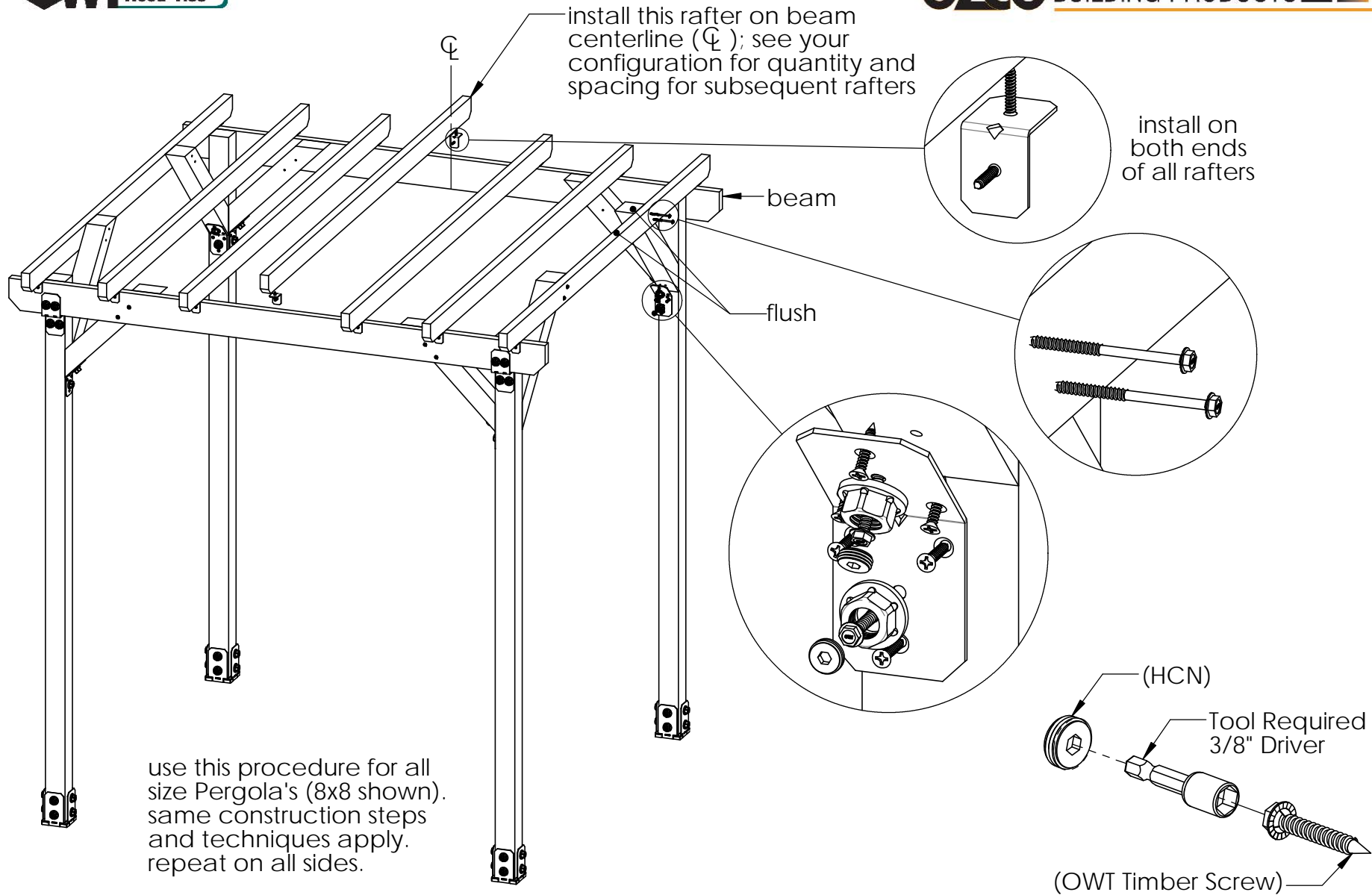


ITEM NO.	QTY.	PART NUMBER	DESCRIPTION
1	2	2x6 Board	2x6x96.00
2	4	4x4 Support	4x4x24.00
3	1	51768	4" Flush Inside 45 (FI45-IW-4) OWT
4	0.32	56627	Timber Screw 3-3/4"

OZCO Project #282 - Pergola 8x8 with 4x4 Posts

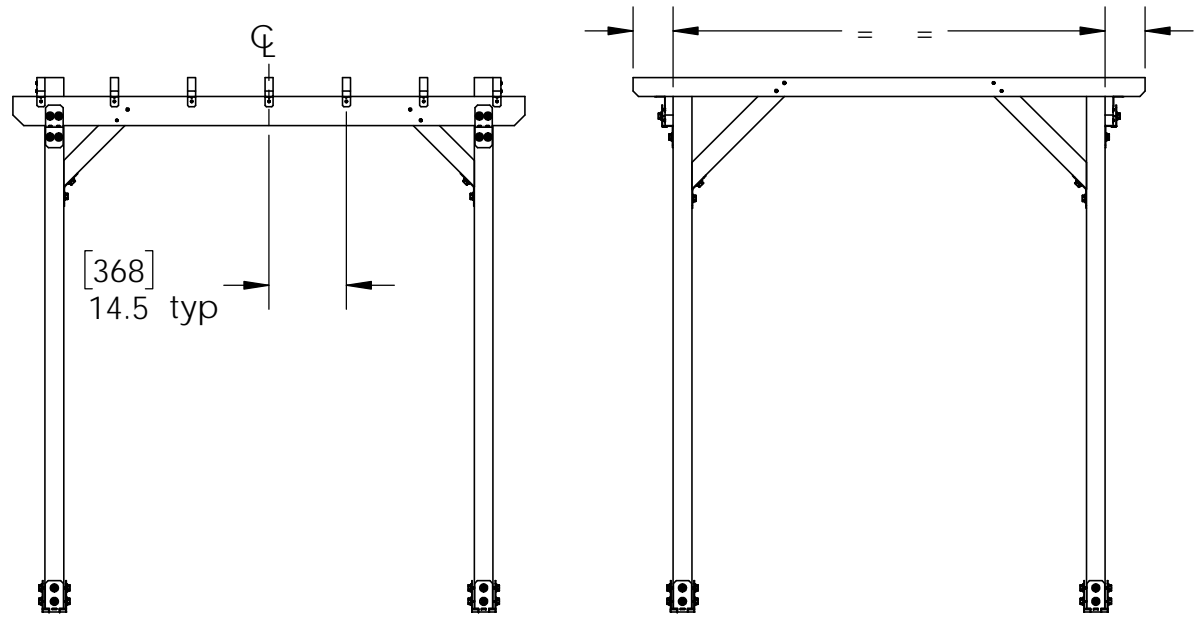
Menards Pergola Beams

V2.00 - Installation Instructions, Specifications and Project Plans are effective 3/30/2016 . This information is updated periodically and should not be relied upon after 2 years from 3/30/2016 . Please visit OZCOBP.com to get current information.

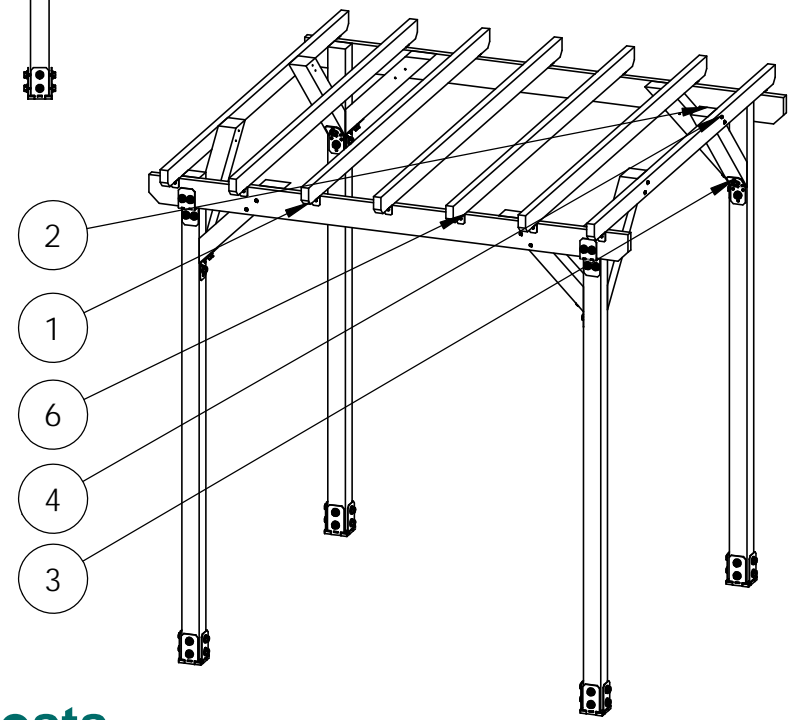


Installing your Rafters & Supports

Menards Pergola Rafters

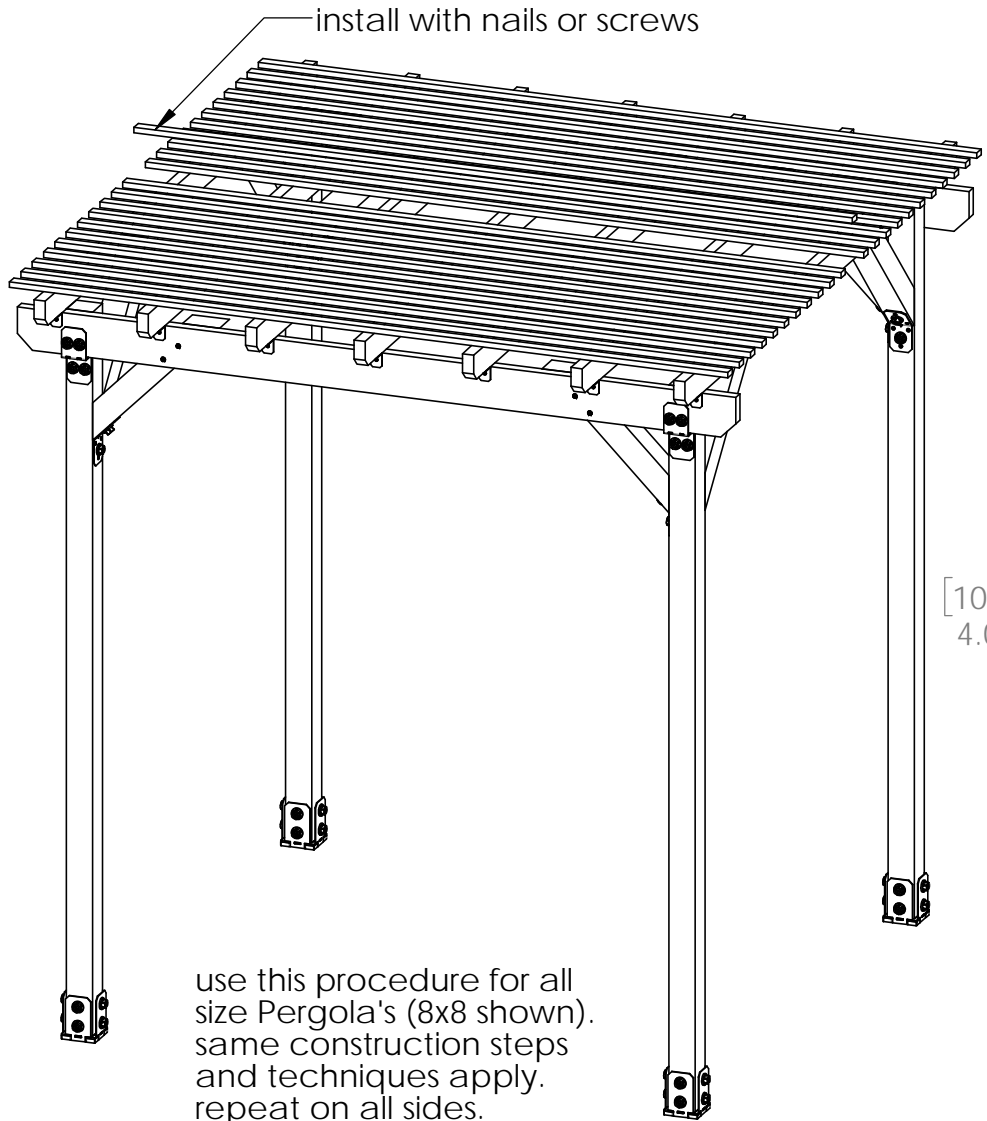


ITEM NO.	QTY.	PART NUMBER	DESCRIPTION
1	7	2x4 Board	2x4x96.0
2	4	4x4 Support	4x4x29.5
3	1	51768	4" Flush Inside 45 (FI45-IW-4)
4	0.32	56627	OWT Timber Screw 3-3/4"
5	1	Menards Pergola Beams	12x12 Beams
6	1.4	51717	2" Standard Rafter Clip (RC-IW-2)

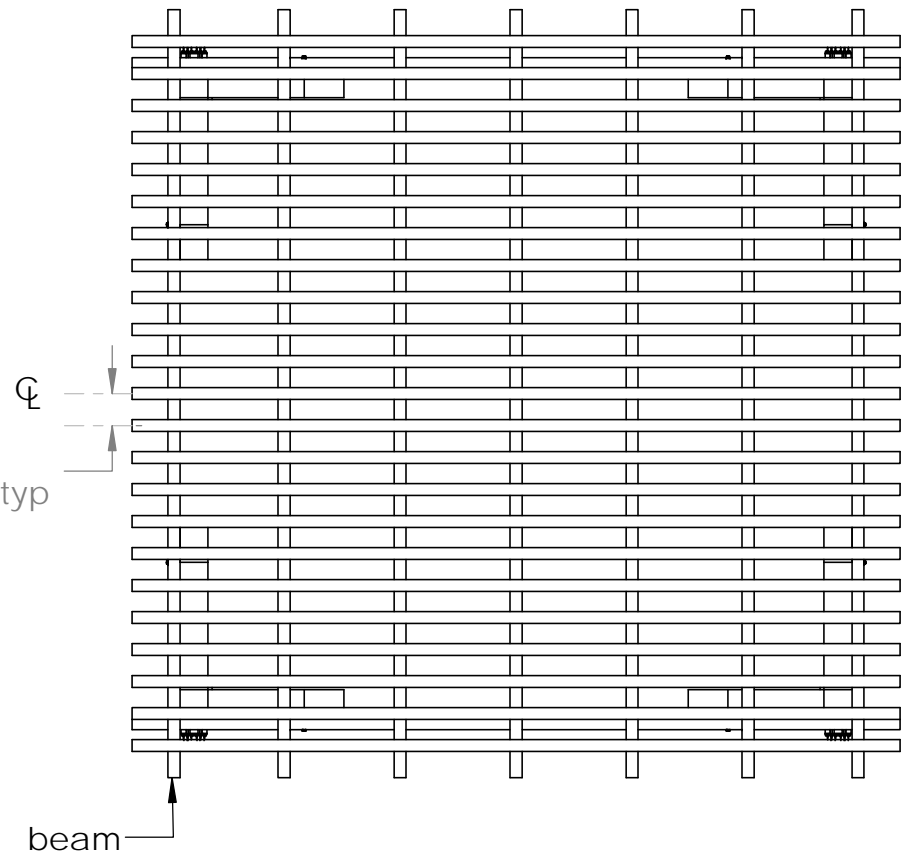


OZCO Project #282 - Pergola 8x8 with 4x4 Posts

Menards Pergola Rafter



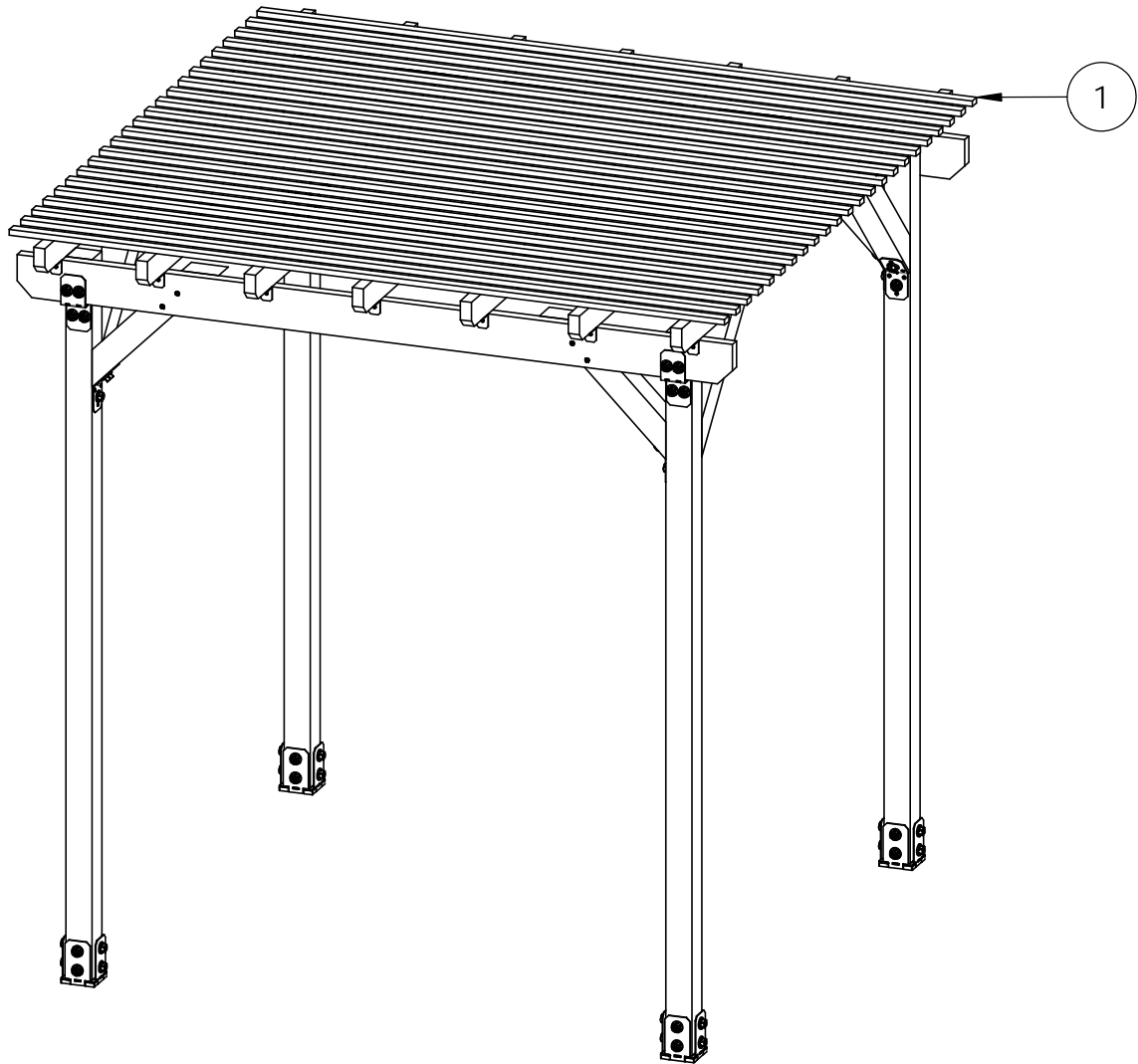
use this procedure for all size Pergola's (8x8 shown). same construction steps and techniques apply. repeat on all sides.



install first purlin on beam centerline (⌀); see your configuration for quantity of purlins

Purlins

Menards Pergola Purlins



ITEM NO.	QTY.	PART NUMBER	DESCRIPTION
1	23	1x2 Board	1x2x96.0

OZCO Project #282 - Pergola 8x8 with 4x4 Posts

Menards Pergola Purlins

V2.00 - Installation Instructions, Specifications and Project Plans are effective 3/30/2016 . This information is updated periodically and should not be relied upon after 2 years from 3/30/2016 . Please visit OZCOBP.com to get current information.