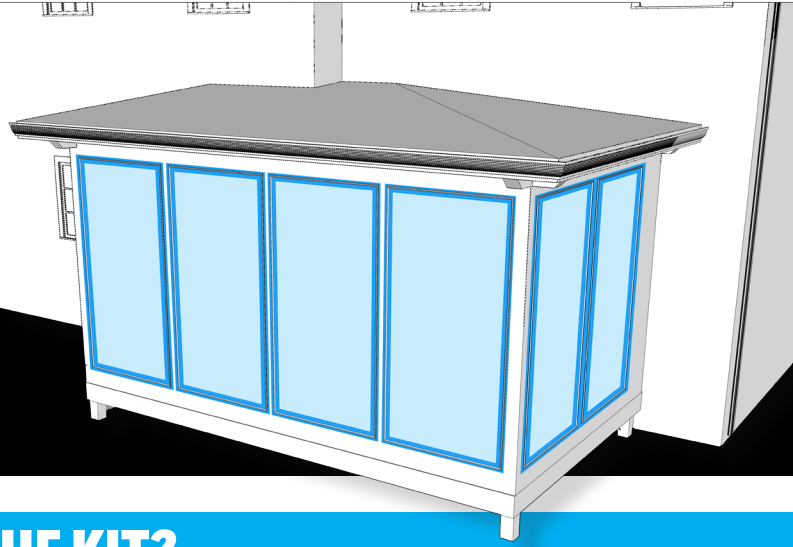
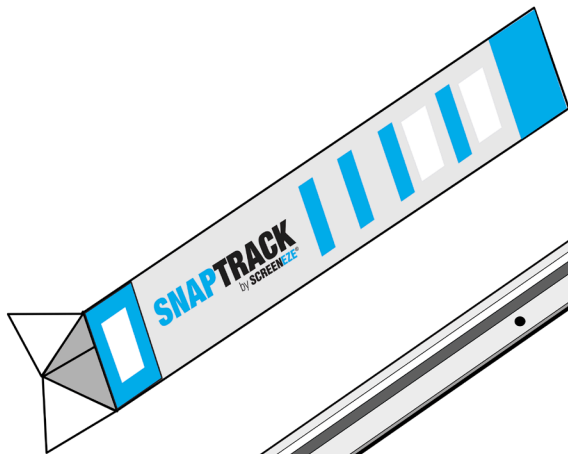


## THE ALL-IN-ONE SCREEN PORCH KIT



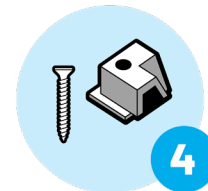
### WHAT'S IN THE KIT?



**4** SNAPTRACK  
Pre-Drilled  
Aluminum Base

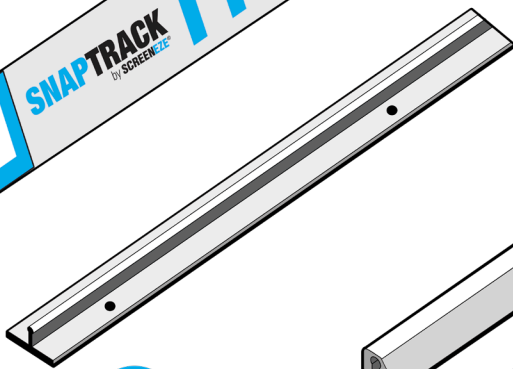


#6 x 1/4 Phillips  
Stainless Steel Screws  
Included

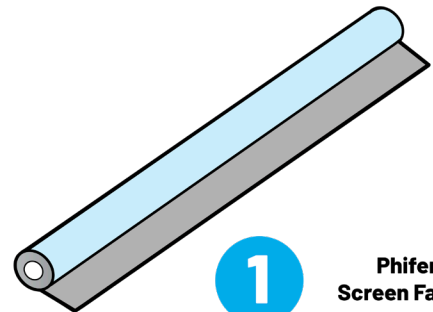


Corner Plinth Kits  
Included

**4**



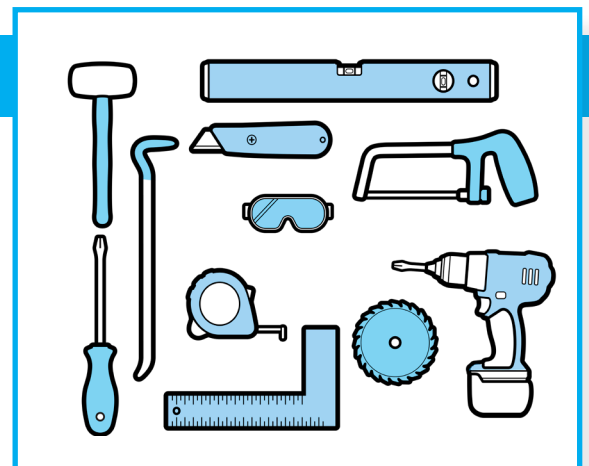
**4** SNAPTRACK  
PVC Cap



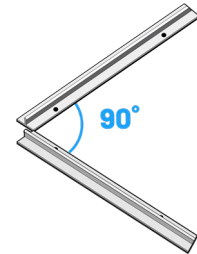
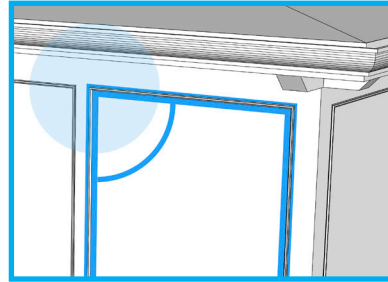
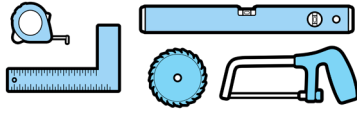
**1** Phifer  
Screen Fabric

### WHAT TOOLS ARE NEEDED?

- Rubber Mallet
- Razor Knife
- 10" Miter Saw or Hacksaw
  - Level
  - Pry Bar
- Phillips Screw Driver
- Measuring Tape
- Framing Square
- Screw Gun w/ #2 Phillips Bit
- Eye Protection

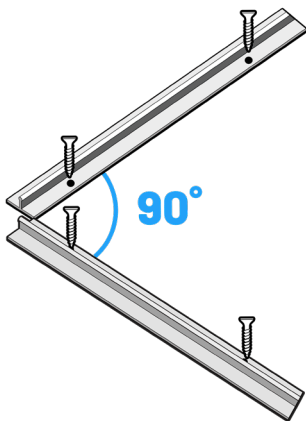


## PART 1: SQUARE. MEASURE. CUT.

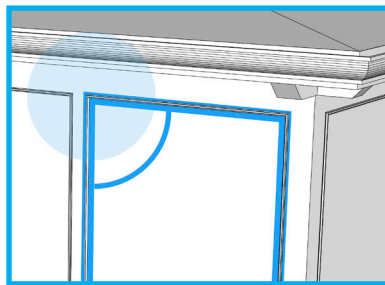


- Slide the Vinyl Cap onto the Aluminum Base to prepare for cutting. Place pencil marks at the corner point where you want to install SNAPTRACK and measure distance between points. We recommend holding SNAPTRACK about an 1/8" from the edge of the opening, however, you can install it anywhere on the face of the post
- After measuring, if utilizing the included Corner Plinth Kit, straight cut SNAPTRACK Aluminum Base and Vinyl Cap together based on your measurement - be sure the Vinyl Cap does not move on Aluminum Base while making cuts. We recommend the Plinth; however, you may choose to miter the corners. If you choose to miter the corners you will NOT make straight cuts.
- After cutting slide the Vinyl Cap off of the Aluminum Base - keep pieces organized so you know what piece was paired together and cut for each specific opening and side

## PART 2: INSTALL SNAPTRACK

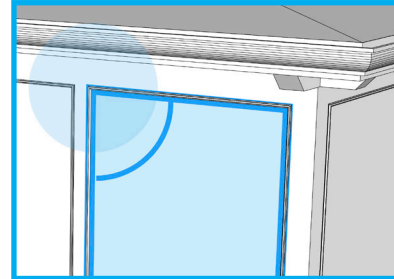
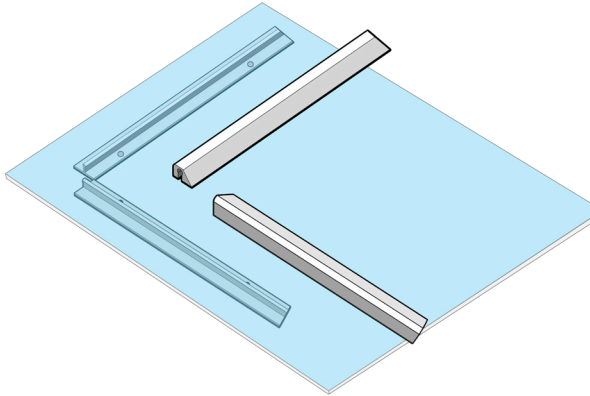


Use included  
#6 x 1 1/4 Philips  
Stainless Steel Screws

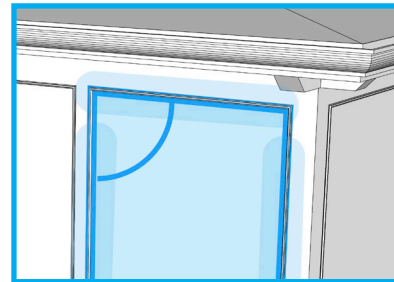
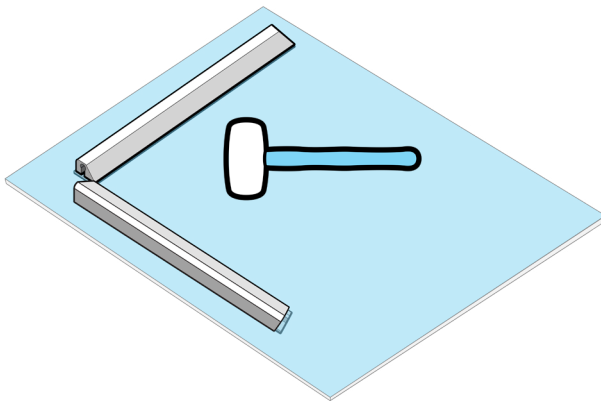


- Secure the Aluminum Base to the porch post with included screws - Pre-drill pilot holes to prevent edge splits at your screw centers

## PART 3: INSTALL SCREEN FABRIC & VINYL CAPS

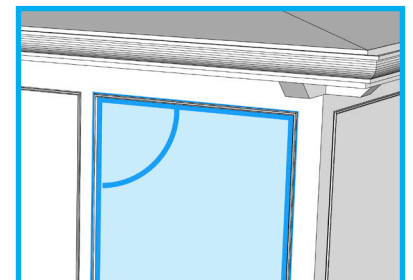
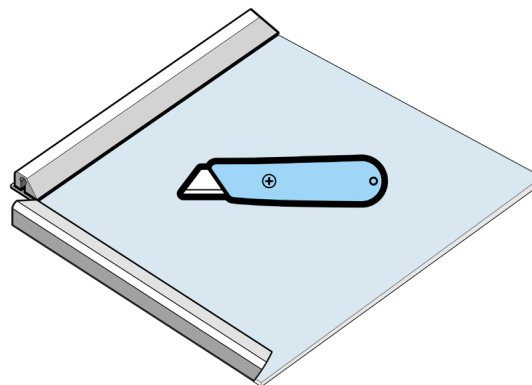


- Square the included screen fabric to the TOP of the panel and attach to the Aluminum Base by pressing or tapping the Vinyl Cap with your hand or rubber hammer to the corners first for about 3"

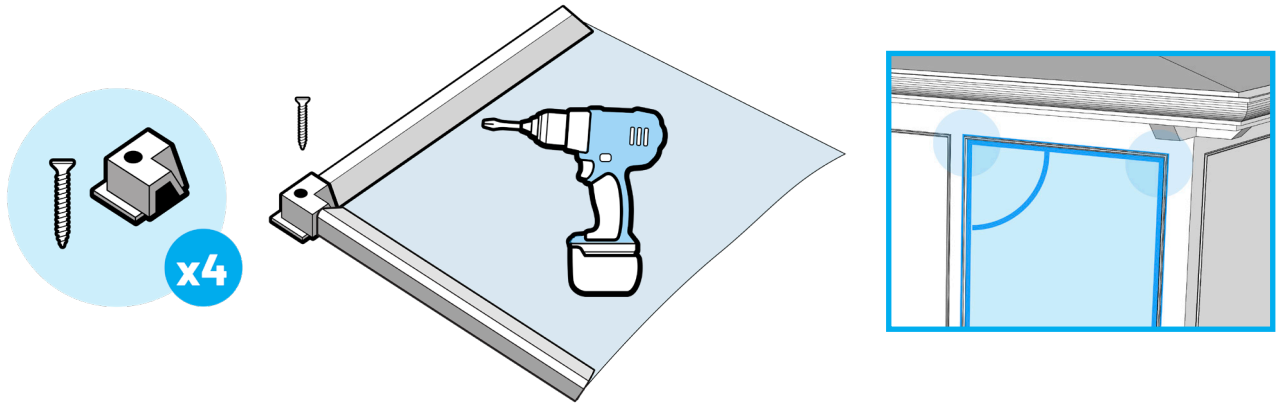


- Once the Vinyl Cap is secured at the corners move to the center and again secure screen by pressing or tapping the Vinyl Cap with a rubber hammer. Next tap from the center out towards each corner. Double check that Vinyl Cap is secure and the screen fabric is still square
- Install the Vinyl Cap on the BOTTOM of the opening in the same manner. Then proceed to sides and secure Vinyl Cap over screen fabric in the same manner

- Using the outside edge of the Vinyl Cap, hold your razor knife at a perpendicular angle as a guide for trimming the screen. Trim the excess screen on all sides of your opening



## PART 4: INSTALL CORNER PLINTHS



- After you trim the fabric, install the Corner Plinth Kit with the included screws. Congratulations, you're finished!

### AVAILABLE COLORS & SIZES

**BRONZE + WHITE**

4x4      4x8      8x8

SCAN FOR QUICK TIPS,  
WARRANTY & MOUNTING DETAILS

